

PROJECT
TYPE
CATALOG #

02-OEMW

LED EMERGENCY THERMOPLASTIC UNIT

HOUSING

- Injection molded, engineering grade, 5VA flame retardant, high impact resistant, thermoplastic in white finish.

ELECTRICAL

- Dual 120/277 voltage.
- Unique LED indicator light alerts occupant on battery condition (Red-normal, OFF - check battery).
- Charge rate/power "ON" LED indicator light and push-to-test switch for mandated code compliance testing.
- 3.6V 700mAH long-life, maintenance-free, rechargeable Ni-Cd battery.
- Internal solid-state transfer switch automatically connects the internal battery to LED lamp heads for minimum 90-minute emergency illumination.
- Fully automatic solid-state, two rate charger initiates battery charging to recharge a discharged battery in 24 hours.

ILLUMINATION

- Ultra-bright, energy efficient, long-life White LED lamps.
- Two fully adjustable semi-recessed, round lamp heads for optimal light distribution.
- Provides up to 20-ft center-to-center spacing with 3-ft path of egress at 7.5 mounting height.
- 1.2 watt (12 LEDs x 0.10 watts) per head.

MOUNTING

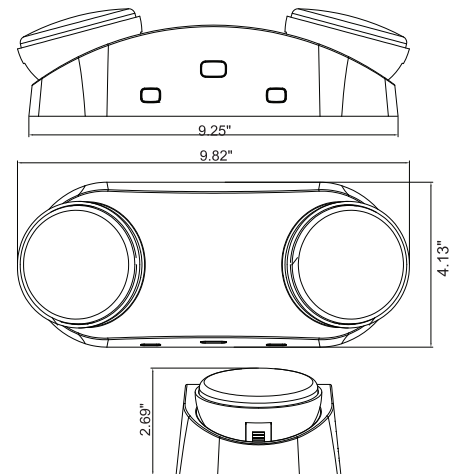
- Universal knockout pattern on back plate for surface mount.
- Suitable for wall or ceiling mount.
- Knockouts provided for conduit feed applications.
- Spacing: 17-ft center-to-center spacing with 3-ft path of egress at 7.5 mounting height.

CODE COMPLIANCE

- Meets UL924, NFPA 101, Life Safety Code, NEC, OSHA, Local and State Codes.
- UL Listed for damp locations (0°C - 40°C)

WARRANTY

- 5-year warranty on all electronics and housing.



Model	Size (inches)		
	L (in)	W (in)	H (in)
02-OEMW	9.82"	2.69"	4.13"



PRODUCT PARAMETERS

SERIES	HOUSING COLOR
02-OEM	W White



02-OEMW

LED EMERGENCY THERMOPLASTIC UNIT

ELECTRICAL INFORMATION

MODEL	INPUT VOLTAGE (V)	INPUT CURRENT (A)	INPUT POWER (W)
02-OEMW	120-277	0.03	1.2

PROJECT
TYPE
CATALOG #