

PROJECT
TYPE
CATALOG #

10-IMODCGR SERIES

GIMBAL CANLESS RECESSED DOWNLIGHT KELVIN FIELD SELECTABLE

HOUSING

- White powder coated aluminum housing.

ELECTRICAL

- Operating temperature (ambient): -20°C to 45°C (-4°F to 113°F).
- Universal 120V AC voltage (60Hz) is standard.
- 10-IMODCGR4-8L-5CCT = 10W.
- 10-IMODCGR6-10L-5CCT = 14W.
- Adjustable 180° rotation and 20° tilt.
- Triac dimming.
- Input transient surge protection = 1kV.
- Type IC rated.
- Power Factor > 0.90.
- Total Harmonic Distortion < 20%.

OPTICAL SYSTEM

- Polycarbonate diffuser.
- Field selectable 2700K, 3000K, 3500K, 4000K, and 5000K color temperatures.*
- 10-IMODCGR4-8L-5CCT delivers 801 to 873 nominal lumens.
- 10-IMODCGR6-10L-5CCT delivers 1,033 to 1,210 nominal lumens.
- Long-life LEDs provide 170,000 hours of operation with at least 70% of initial lumen output (L70), and 52,000 hours with at least 90% of initial lumen output (L90).**
- LED color maintenance < 0.0013 chromaticity shift ($\Delta u'v'$) over the initial 6,000 hours of operation.
- Beam angle 120°.
- Color Rendering Index > 90.

MOUNTING

- Recessed in ceiling.
- Suitable for new constructions and retrofit applications.

CODE COMPLIANCE

- cETLus listed for wet locations.
- Energy Star certified.
- Complies with FCC Part 15, Class B.
- Complies with Title 24.

WARRANTY

- 5-year warranty on all electronics and housing.

* Factory default setting is 4000K.

**L70 and L90 hours are IES TM-21-11 calculated hours.



Model	Size (inches) & Weight (lbs)				Junction Box Size (inch)
	L (in)	W (in)	H (in)	Weight	
10-IMODCGR4-8L-5CCT	5.28	5.28	1.53	0.77	4.13x2.66x1.36
10-IMODCGR6-10L-5CCT	7.05	7.05	1.72	1.55	4.13x2.66x1.36



PRODUCT PARAMETERS

SERIES	NOMINAL LUMEN OUTPUT	KELVIN (SELECTABLE)	
10-IMODCGR4	8L = 800 lm	5CCT	2700K/ 3000K/ 3500K/ 4000K/ 5000K
10-IMODCGR6	10L = 1000 lm		



PROJECT
TYPE
CATALOG #

10-IMODCGR SERIES

GIMBAL CANLESS RECESSED DOWNLIGHT KELVIN FIELD SELECTABLE

ACCESSORIES (order separately)

Mounting Option:

- 06-MP-UD346-NC = Mounting plate for 3", 4", and 6" canless recessed downlights.
- 06-MP-UD46810-NC = Mounting plate for 4", 6", 8", and 10" canless recessed downlights.

COMPATIBLE DIMMERS & CONTROLS

Manufacturer	Model Number		
Lutron	TG-600PR-WH	CTCL-153PDH-WH	TGCL-153PH-LA
	SLV-600P-AL	DVCL-153P	MSCL-OP153M
	PD-6WCL	S2-LFSQH-WH	CT-103PR-WH
	MACL-153MA	DVWCL-153PH	RCL-153RNL
	DVRF-6L	CTCL-150H	-
Leviton	6672	6674	IPL06
	RNL06	DSL06	-

LUMEN TABLE & ELECTRICAL DATA

Series	Measurements	8L				
		2700K	3000K	3500K	4000K	5000K
10-IMODCGR4 -8L-5CCT	Lumens	802	835	868	873	857
	Watts	9.884	9.845	9.623	9.791	9.908
	Efficacy	81.14	84.85	90.22	89.21	86.45
	Input Current (A) 120V	0.08	0.08	0.08	0.08	0.08

Series	Measurements	10L				
		2700K	3000K	3500K	4000K	5000K
10-IMODCGR6 -10L-5CCT	Lumens	1,033	1,093	1,157	1,188	1,210
	Watts	13.9	13.87	13.64	13.68	13.95
	Efficacy	74.34	78.79	84.80	86.83	86.75
	Input Current (A) 120V	0.12	0.12	0.11	0.11	0.12

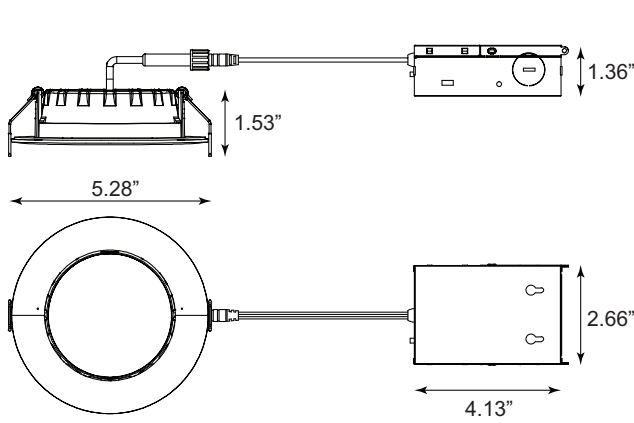
PROJECT
TYPE
CATALOG #

10-IMODCGR SERIES

GIMBAL CANLESS RECESSED DOWNLIGHT KELVIN FIELD SELECTABLE

DIMENSIONAL DRAWINGS

10-IMODCGR4-8L-5CCT



10-IMODCGR6-10L-5CCT

