

PROJECT
TYPE
CATALOG #

07-WPRSR

ROTATABLE WALL PACK SENSOR READY

HOUSING

- Premium powder-coat, die cast aluminum, Bronze housing.

ELECTRICAL

- Operating temperature (ambient): -40°C to 50°C (-40°F to 122°F) .
- Universal 120-277 AC voltage (50-60Hz) is standard.
- 0-10V DC dimming drivers are standard.
- Integrated photocell is standard. Photocell can be enabled or disabled by switch.
- Input transient surge protection = 6kV.
- Power factor > 0.90.
- Total Harmonic distortion < 20%.

OPTICAL SYSTEM

- Polycarbonate lens.
- Field selectable 3000K (warm white), 4000K (neutral white) and 5000K (cool white) color temperatures.*
- Four lumens selectable output delivered from 9,888 to 18,713 nominal lumens.*
- Long-life LEDs provide 159,000 hours of operation with at least 70% of initial lumen output (L70), and 48,000 hours with at least 90% of initial lumen output (L90).**
- Two modules can independently rotate -15° to 210°.
- Sensor-ready receptacle comes standard. Screw-in sensor and remote control sold separately. Remote control required to change factory sensor settings.
- LED chromaticity based on < 6-step ANSI quadrangles.
- LED color maintenance < 0.0008 chromaticity shift ($\Delta u'v'$) over the initial 6,000 hours of operation.
- Color Rendering Index > 80.

MOUNTING

- Wall mounting kit.

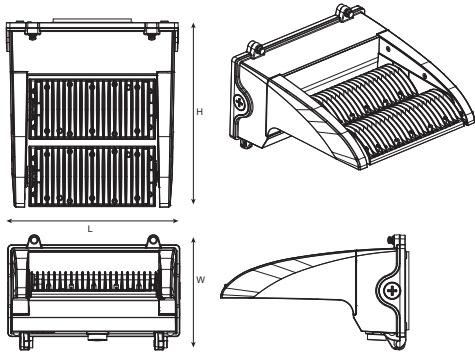
CODE COMPLIANCE

- cULus listed for wet locations.
- Complies with FCC part 15, class A.
- IP65 rated for ingress protection.
- IK08 rated for impact protection.

WARRANTY

- 5-year warranty on all electronics and housing.

* Default kelvin temperature 4000k and highest lumen output.
**L70 & L90 hours are IES TM-21-11 calculated hours.



Model	Size (inches) & Weight (lbs)			
	L (in)	W (in)	H (in)	Weight
07-WPRSR-19161310L-3CCT	9.37	6.27	10.15	5.3



PRODUCT PARAMETERS

SERIES	NOMINAL LUMEN OUTPUT (SELECTABLE)	KELVIN (SELECTABLE)
07-WPRSR	19161310L = 19,000 / 16,000 / 13,000 / 10,000 lm	3CCT 3000K / 4000K / 5000K



PROJECT
TYPE
CATALOG #

07-WPRSR

ROTATABLE WALL PACK SENSOR READY

ACCESSORIES (order separately)

Sensor

- 22-HD07VR-PHF-1 = Passive infrared sensor - maximum mounting height = 39 FT
- 22-HD07VR-MHF-1 = Microwave step-dimming sensor - maximum mounting height = 49 FT
- 20-HD05R = Remote control for 22-HD07VR and 22-HD09VR series Sensors (required to change factory settings)

Factory settings for Sensor : detection area =100%, hold time = 5 sec, stand-by period = 0 sec, stand-by dimming level = 10%, daylight threshold = disabled

COMPATIBLE DIMMERS & CONTROLS

Manufacturer	Model Number	Dimmer Range	Load Switching Capacity
Best Lighting	DWS-010V-T	10%-100%	600W
Best Lighting	DWS-010V-D	10%-100%	600W
Leviton	IP710-LFZ	10%-100%	1200W
Lutron	DVSTV	10%-100%	450W

LUMEN TABLE & ELECTRICAL DATA

Series	Measurements	19L			16L			13L			10L		
		3000K	4000K	5000K	3000K	4000K	5000K	3000K	4000K	5000K	3000K	4000K	5000K
07-WPRSR-19161310L-3CCT	Lumens	17,466	18,713	18,210	15,102	16,060	15,796	12,491	13,102	13,080	9,888	10,271	10,354
	Watts	118.49	114.73	118.22	99.2	96.58	99.19	79.31	77.3	79.4	61.18	59.89	61.18
	Efficacy	147.40	163.10	154.03	152.24	166.29	159.25	157.50	169.50	164.74	161.62	171.50	169.24
	Input Current (A)	120V	0.99	0.96	0.99	0.83	0.80	0.83	0.66	0.64	0.66	0.51	0.50
240V		0.49	0.48	0.49	0.41	0.40	0.41	0.33	0.32	0.33	0.25	0.25	0.25
277V		0.43	0.41	0.43	0.36	0.35	0.36	0.29	0.28	0.29	0.22	0.22	0.22

PROJECT
TYPE
CATALOG #

07-WPRSR

ROTATABLE WALL PACK SENSOR READY

PHOTOMETRIC DATA

07-WPRSR-19161310L-3CCT

Luminaire Data

Description	Rotatable Wall Pack Lumen and Kelvin Select
Total Lumens	18,713
Input Wattage	115
Efficacy (lm/W)	163
Max. Cd.	7638.6 (112.5H, 25V)
IES Classification	N.A.
Longitudinal Classification	N.A.

Zonal Lumen Summary

Zone	Lumens	%Fixt
0-30°	5,118	27.4%
0-60°	15,143	80.9%
0-80°	18,485	98.8%
80-90°	205	1.1%*
0-90°	18,690	99.9%
90-110°	4	0.0%
110-180°	0	0.0%
0-180°	18,713	100.0%

Luminaire Classification Systems (LCS)

LCS Zone	Lumens	%Lum	
FL	0-30	2,564	13.7%
FM	30-60	5,027	26.9%
FH	60-80	1,678	9.0%
FVH	80-90	103	0.6%
BL	0-30	2,554	13.6%
BM	30-60	4,998	26.7%
BH	60-80	1,663	8.9%
BVH	80-90	102	0.5%
UL	90-100	2	0.0%
UH	100-180	21	0.1%
Total		18,713	100.0%
BUG Rating		B4-U2-G3	

Photometric calculated at 4000k, highest lumen output, and heads set to 0°.

* 80-90° glare zone is calculated by dividing the lumens in that zone by the lumen total in the 0-90° zone

180° Polar Graph

