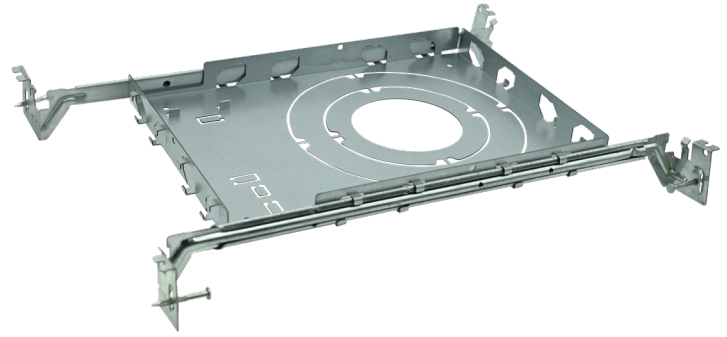


MP-UD346-NC

Mounting Plate for Recessed Downlight



Project:	
Type:	
Catalog #:	



MATERIAL

- Galvanized iron

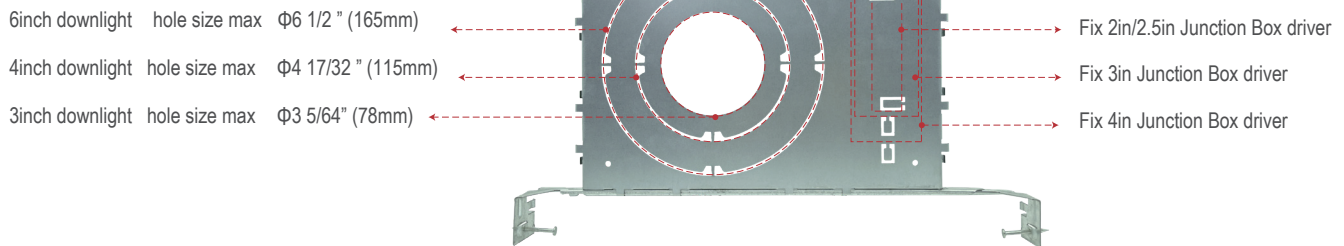
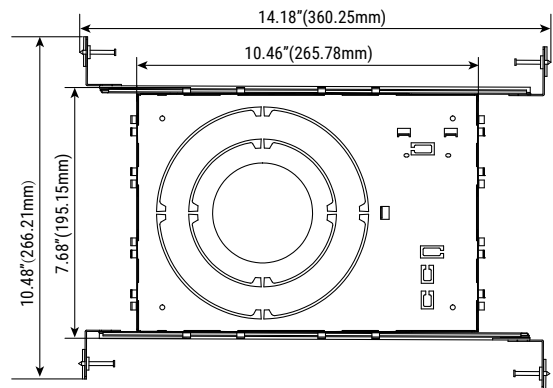
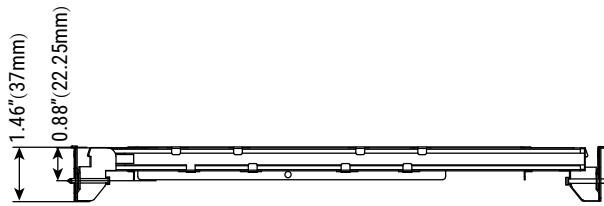
FEATURES

- Suitable for light type: 3 / 4 / 6 inch downlight
- Compatible with 3 types of hole size.
- Equipped with a power card slot, easy to install.
- Bar hangers extendable from 14.25" to 25".

MOUNTING

- Recessed.
- Suitable for both new construction joist and T-Grid applications.

Measurements



Reference compatible with the following recessed fixtures

SERIES	MODEL		
FPR	FPR3-4L-KFS	FPR4-6L-KFS	FPR6-10L-KFS
CDR	CDR4-1L-LKFS	CDR6-2L-LKFS	-
IMODCR	IMODCR4-8L-LFS	IMODCR6-12L-KFS	-