

PROJECT
TYPE
CATALOG #

08-BFHL

BULLET FLOOD LIGHT HIGH LUMEN

HOUSING

- Premium powder-coat, aluminum, bronze housing.

ELECTRICAL

- Operating temperature (ambient): -40°C to 40°C (-40°F to 104°F).
- Universal 120-277V AC voltage (50-60Hz) is standard.
- 0-10VDC dimming drivers is standard.
- Input transient surge protection = 4kV.
- Power factor > 0.90.
- Total Harmonic distortion < 20%.

OPTICAL SYSTEM

- Glass lens.
- 5000k (cool white) color temperature.
- 9,000 nominal lumens, 82W.
- Long-life LEDs provide 83,000 hours of operation with at least 70% of initial lumen output (L70), and 22,000 hours with at least 90% of initial lumen output (L90)*.
- Beam angle 2H2V distribution.
- LED color maintenance < -0.0007 chromaticity shift ($\Delta u'v'$) over the initial 6,000 hours of operation.
- Color rendering index > 70.

MOUNTING

- Knuckle mount kit is standard (Fit 1/2" NPT).
- Optional Line Voltage Ground Stake (Sold separately)
- Easy installation in new construction or retrofit.

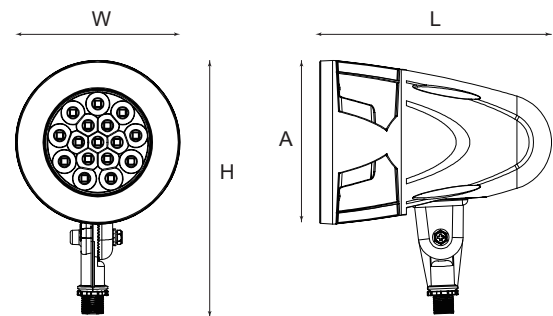
CODE COMPLIANCE

- cULus listed for wet locations.
- Complies with FCC part 15, class A.
- IP66 rated for ingress protection.

WARRANTY

- 5-year warranty on all electronics and housing.

*L70 & L90 hours are IES TM-21-11 calculated hours.



Model	Size (inches) & Weight (lbs)				
	L (in)	W (in)	A (in)	H(in)	Weight
08-BFHL-9L-5K	8.5	6	6	9.3	5.1

"A" = Fixture head with glare-hood;
"H" = Maximum overall height; +/- adjustment 180°.



PRODUCT PARAMETERS

SERIES	NOMINAL LUMEN OUTPUT	KELVIN
08-BFHL	9L = 9,000 lm	5K = 5000K

PROJECT
TYPE
CATALOG #

08-BFHL

BULLET FLOOD LIGHT HIGH LUMEN

ACCESSORIES (order separately)

Mounting

- 08-CM-R = Round canopy mounting plate, suitable to mount 1/2" swivel arm and use with standard 4" round junction box.
- 08-MPOST17 = Line Voltage Ground Stake.

COMPATIBLE DIMMERS & CONTROLS

Manufacturer	Model Number	Dimmer Range	Load Switching Capacity
Best Lighting	DWS-010V-T	10%-100%	600W
Best Lighting	DWS-010V-D	10%-100%	600W
Leviton	IP710-LFZ	10%-100%	1200W
Lutron	DVSTV	10%-100%	450W

ELECTRICAL DATA

Series	Measurements	Lumens		
		5000K		
08-BFHL-9L-5K	Lumens	9,096		
	Watt	82.28		
	Efficacy	110.55		
	Input Current (A)	120V	0.69	
		240V	0.34	
277V		0.30		

PHOTOMETRIC DATA

08-BFHL-9L-5K

Luminaire Data

Description	Flood Light 9,000lm, 5000k
Total Lumens	9,096
Input Wattage	82
Efficacy (lm/W)	111
Max. Cd.	42129 (337.5H, 1V)
IES Classification	Type I
Longitudinal Classification	Very Short

Luminaire Classification Systems (LCS)

LCS Zone	Lumens	%Lum
FL 0-30	3,161	34.7%
FM 30-60	1,329	14.6%
FH 60-80	22	0.2%
FVH 80-90	2	0.0%
BL 0-30	3,226	35.5%
BM 30-60	1,334	14.7%
BH 60-80	21	0.2%
BVH 80-90	2	0.0%
UL 90-100	0	0.0%
UH 100-180	0	0.0%
Total	9,096	100.0%

BUG Rating: B4-U0-G0

