

PROJECT
TYPE
CATALOG #

02-EREC-LED

RECESSED LED EMERGENCY UNIT

HOUSING

- Durable 20-gauge steel trim plate in white or black finish.
- Trim securely attached to housing with spring clips.

ELECTRICAL

- Dual 120/277 voltage.
- Charge rate/power "ON" LED indicator light and push-to-test switch for mandated code compliance testing.
- LVD (low voltage disconnect) prevents battery from deep discharge.
- 6V maintenance-free, rechargeable sealed lead acid battery.
- Internal solid-state transfer switch automatically connects the internal battery to lamp heads for minimum 90-minute emergency illumination.
- Fully automatic solid-state, two rate charger initiates battery charging to recharge a discharged battery in 24 hours.
- Remote capacity of 10W standard.

OPTICAL SYSTEM

- Two fully adjustable 1.0W white LED lamp heads.
- High performance chrome-plated metal reflectors and plastic lens for optimal light distribution.

MOUNTING

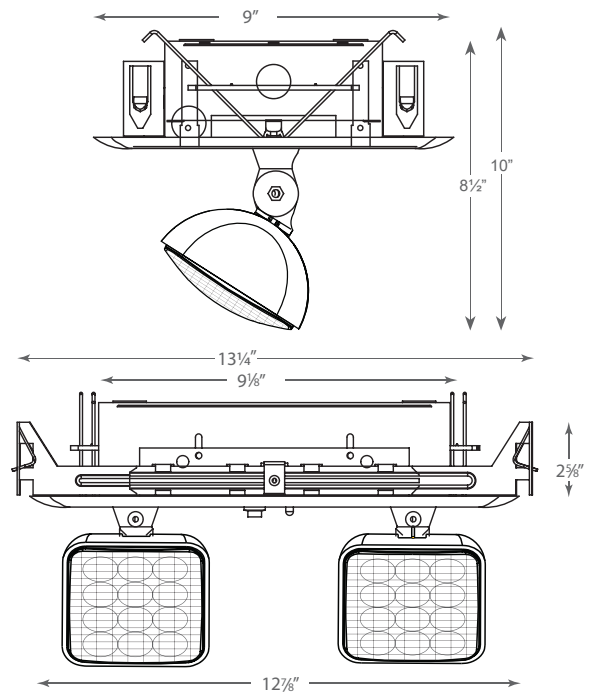
- Bar hangers on the back box for recessed mount.
- Compatible with drop ceiling mount installations. Bar hangers included.

CODE COMPLIANCE

- Meets UL924, NFPA 101 Life Safety Code, NEC, OSHA, Local and State Codes.
- UL Listed for dry locations. (25°C)

WARRANTY

- Five year warranty on all electronics and housing. Battery prorated for two years.



PRODUCT PARAMETERS

SERIES	HOUSING COLOR
02-EREC-LED	BLK = Black WH = White



PROJECT
TYPE
CATALOG #

02-EREC-LED

RECESSED LED EMERGENCY UNIT

ELECTRICAL INFORMATION

CATALOG NUMBER	INPUT WATTS (W)		INPUT AMPS (A)	
	120V	277V	120V	277V
02-EREC-LED	5.0	5.0	0.05	0.03

REMOTE LAMP COMPATIBILITY

MODEL NUMBER	BATTERY	REMOTE CAPACITY	COMPATIBLE REMOTE HEAD FAMILY												
			RHLED			RH16LED	RH16		RH		RHR		SRH		SRHLED
			3.6V	9.6V	MV		6V	12V	6V	12V	6V	12V	6V	12V	
02-EREC-LED	6V	10W			X	X	X		X		X		X		X