

PROJECT
TYPE
CATALOG #

08-CYL-UPDN

UP/DN CYLINDER LUMINAIRE LUMEN & KELVIN SELECTABLE

HOUSING

- Premium powder-coat, aluminum, dark bronze housing.

ELECTRICAL

- Operating temperature (ambient): -40°C to 45°C (-40°F to 113°F).
- Universal 120-277V AC voltage (50-60Hz) is standard.
- Field selectable output, with 3 levels for each model.
- 0-10VDC dimming drivers are standard.
- Selectable switch allows for light to be directed up only, down only, or both up and down.
- Internal photocell is standard. Photocell can be enabled or disabled by switch.
- Surge protection = 4kV.
- Power factor > 0.90.
- Total Harmonic distortion < 20%.

OPTICAL SYSTEM

- High temperature resistant tempered glass lens.
- Field selectable 3000k (warm white), 4000k (neutral white) and 5000k (cool white) color temperatures*.
- CYL-UPDN-976L-3CCT provides a range of 600 to 900 nominal lumens*.
- CYL-UPDN-201712L-3CCT provides a range of 1,200 to 2,000 nominal lumens*.
- CYL-UPDN-302722L-3CCT provides a range of 2,200 to 3,000 nominal lumens*.
- Long-life LEDs provide 140,000 hours of operation with at least 70% of initial lumen output (L70)**.
- Beam angle 35°.
- LED color maintenance < 0.00342 chromaticity shift ($\Delta u'v'$) over the initial 6,000 hours of operation.
- Color rendering index > 90.

MOUNTING

- Wall mount kit
- Easy installation in new construction or retrofit applications.

CODE COMPLIANCE

- cULus listed for wet locations.
- Complies with FCC part 15, class B.
- IP65 rated for ingress protection.

WARRANTY

- 5-year warranty on all electronics and housing.

* Default kelvin temperature 4000k and highest lumen output.
**L70 hours are IES TM-21-11 calculated hours.



Model	Size (inches) & Weight (lbs)				
	L (in)	W (in)	H (in)	A(in)	Weight
08-CYL-UPDN-976L-3CCT	4.53	5.35	8.98	3.07	2.65
08-CYL-UPDN-201712L-3CCT	4.53	6.7	11.02	4.17	4.13
08-CYL-UPDN-302722L-3CCT	5.71	8.42	13	5.71	6.48



PRODUCT PARAMETERS

SERIES	NOMINAL LUMEN OUTPUT (Selectable)	KELVIN (Selectable)
08-CYL-UPDN	976L = 900 / 700 / 600 lm	3CCT 3000K / 4000K / 5000K
	201712L = 2,000 / 1,700 / 1,200 lm	
	302722L = 3,000 / 2,700 / 2,200 lm	



PROJECT
TYPE
CATALOG #

08-CYL-UPDN

UP/DN CYLINDER LUMINAIRE LUMEN & KELVIN SELECTABLE

Series	Measurements	Low Lumens			Mid Lumens			High Lumens		
		3000K	4000K	5000K	3000K	4000K	5000K	3000K	4000K	5000K
08-CYL-UPDN-201712L-3CCT	Lumens	1115	1225	1277	1487	1662	1716	1739	1959	1999
	Watt	12.31	12.14	12.32	16.82	16.61	16.88	20.07	19.79	20.1
	Efficacy	91	101	104	88	100	102	87	99	99
	Input Current (A)	120V	0.10	0.10	0.10	0.14	0.14	0.14	0.17	0.16
240V		0.05	0.05	0.05	0.07	0.07	0.07	0.08	0.08	0.08
277V		0.04	0.04	0.04	0.06	0.06	0.06	0.07	0.07	0.07

Series	Measurements	Low Lumens			Mid Lumens			High Lumens		
		3000K	4000K	5000K	3000K	4000K	5000K	3000K	4000K	5000K
08-CYL-UPDN-302722L-3CCT	Lumens	2004	2162	2237	2443	2660	2716	2663	2912	2979
	Watt	23.65	23.48	23.91	29.88	29.63	30.09	34.66	34.43	34.85
	Efficacy	85	92	94	82	90	90	77	85	85
	Input Current (A)	120V	0.20	0.20	0.20	0.25	0.25	0.25	0.29	0.29
240V		0.10	0.10	0.10	0.12	0.12	0.13	0.14	0.14	0.15
277V		0.09	0.08	0.09	0.11	0.11	0.11	0.13	0.12	0.13

PROJECT
TYPE
CATALOG #

08-CYL-UPDN

UP/DN CYLINDER LUMINAIRE LUMEN & KELVIN SELECTABLE

PHOTOMETRIC DATA

08-CYL-UPDN-976L-3CCT

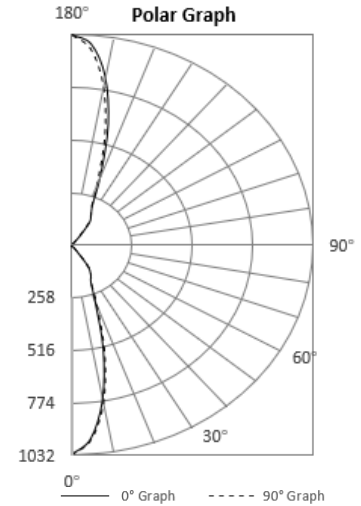
Luminaire Data

Description	Up Down Wall Cylinder Lumen and Kelvin Select
Total Lumens	864
Input Wattage	9
Efficacy (lm/W)	94
Max. Cd.	1034.1 (292.5H, 179V)
IES Classification	N.A.
Longitudinal Classification	N.A.

Photometrics calculated at 4000k and highest lumen setting.

Luminaire Classification Systems (LCS)

LCS Zone	Lumens	%Lum
FL	0-30	166 19.2%
FM	30-60	40 4.7%
FH	60-80	1 0.1%
FVH	80-90	0 0.0%
BL	0-30	177 20.4%
BM	30-60	46 5.3%
BH	60-80	1 0.1%
BVH	80-90	0 0.0%
UL	90-100	0 0.1%
UH	100-180	432 50.1%
Total	864	100.0%
BUG Rating	B1-U3-G0	



08-CYL-UPDN-201712L-3CCT

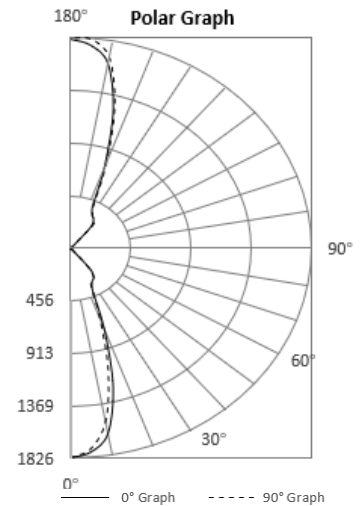
Luminaire Data

Description	Up Down Wall Cylinder Lumen and Kelvin Select
Total Lumens	1,959
Input Wattage	20
Efficacy (lm/W)	99
Max. Cd.	1843.6 (67.5H, 177V)
IES Classification	N.A.
Longitudinal Classification	N.A.

Photometrics calculated at 4000k and highest lumen setting.

Luminaire Classification Systems (LCS)

LCS Zone	Lumens	%Lum
FL	0-30	353 18.0%
FM	30-60	133 6.8%
FH	60-80	13 0.6%
FVH	80-90	6 0.3%
BL	0-30	332 17.0%
BM	30-60	125 6.4%
BH	60-80	12 0.6%
BVH	80-90	6 0.3%
UL	90-100	12 0.6%
UH	100-180	967 49.4%
Total	1,959	100.0%
BUG Rating	B1-U4-G0	



08-CYL-UPDN-302722L-3CCT

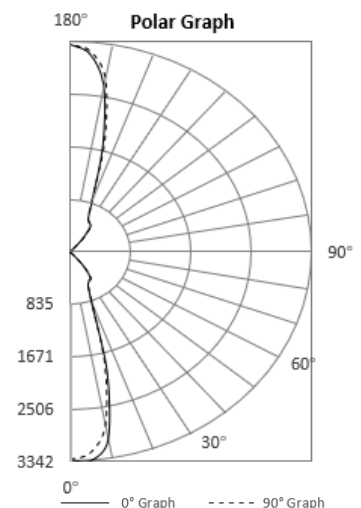
Luminaire Data

Description	Up Down Wall Cylinder Lumen and Kelvin Select
Total Lumens	2,912
Input Wattage	34
Efficacy (lm/W)	85
Max. Cd.	3358.3 (337.5H, 6V)
IES Classification	Type VS
Longitudinal Classification	Very Short

Photometrics calculated at 4000k and highest lumen setting.

Luminaire Classification Systems (LCS)

LCS Zone	Lumens	%Lum
FL	0-30	553 19.0%
FM	30-60	180 6.2%
FH	60-80	4 0.1%
FVH	80-90	1 0.0%
BL	0-30	536 18.4%
BM	30-60	178 6.1%
BH	60-80	5 0.2%
BVH	80-90	1 0.0%
UL	90-100	1 0.0%
UH	100-180	1,454 49.9%
Total	2,912	100.0%
BUG Rating	B2-U5-G0	



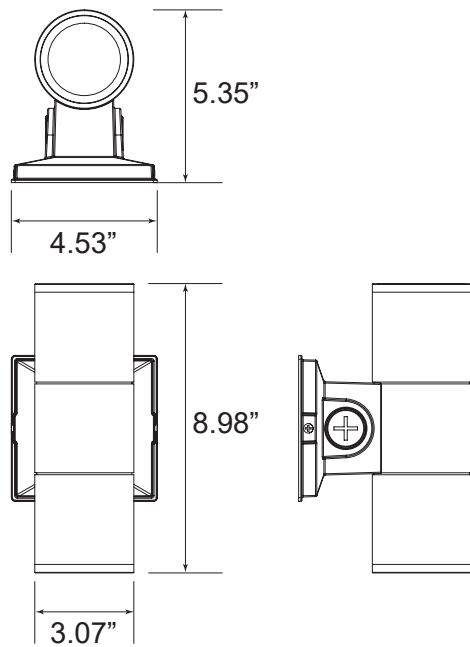
PROJECT
TYPE
CATALOG #

08-CYL-UPDN

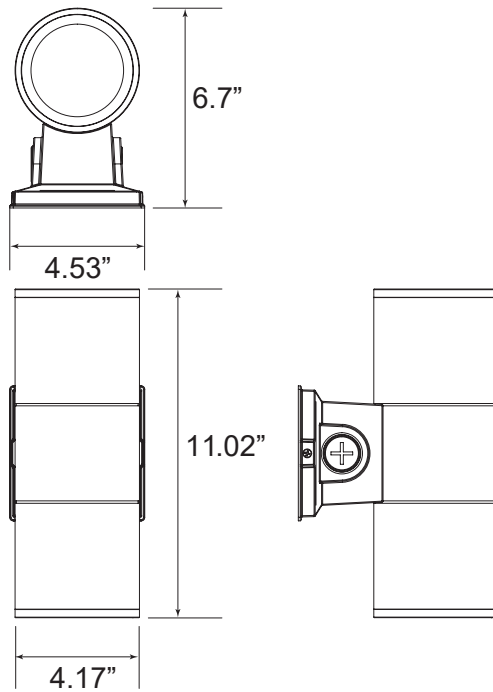
UP/DN CYLINDER LUMINAIRE LUMEN & KELVIN SELECTABLE

DIMENSIONAL DRAWINGS

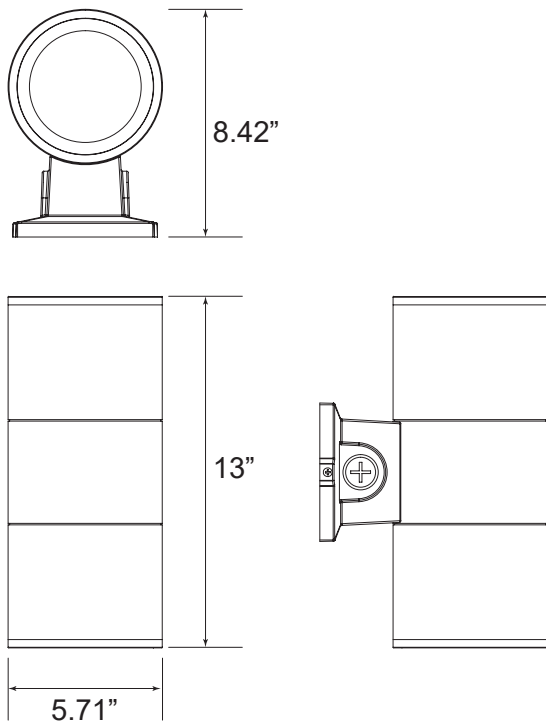
08-CYL-UPDN-976L-3CCT



08-CYL-UPDN-201712L-3CCT



08-CYL-UPDN-302722L-3CCT



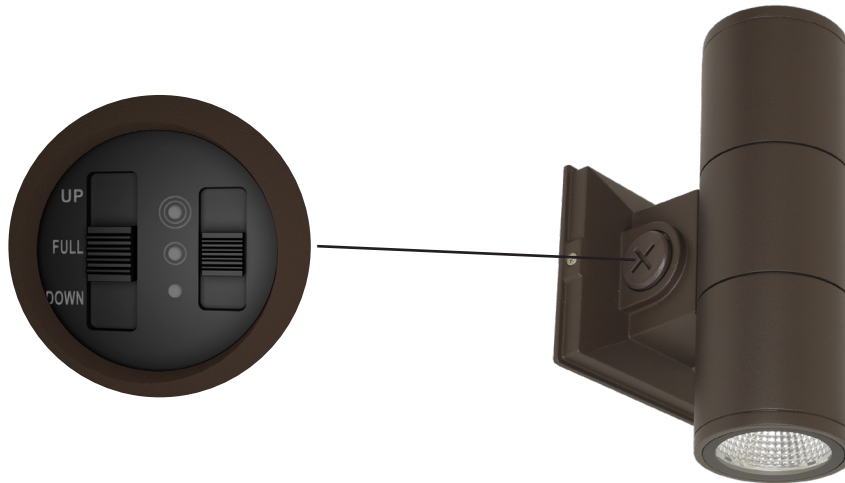
PROJECT
TYPE
CATALOG #

08-CYL-UPDN

UP/DN CYLINDER LUMINAIRE LUMEN & KELVIN SELECTABLE

DIP SWITCH FOR WATTAGE AND LIGHT OPTION

Factory default setting :
Wattage: High Power
Light option: FULL



DIP SWITCH FOR CCT AND PHOTOCELL

Factory default setting :
CCT: 4000K
Photocell: OFF

