

PROJECT
TYPE
CATALOG #

20-DR SERIES

DOUBLE RING CEILING LIGHT SELECTABLE CCT

HOUSING

- Brushed Nickel steel, white housing.

ELECTRICAL

- Universal 120V AC voltage (60Hz) is standard.
- Triac dimming.
- Input transient surge protection = 0.5kV.
- Power factor > 0.90.

OPTICAL SYSTEM

- Polycarbonate diffuser.
- Field selectable 2700k(soft white), 3000k(warm white), 3500k(warm/neutral white), 4000k (neutral white) and 5000k (cool white) color temperatures*.
- Delivers a range of 1,200 to 2,000 nominal lumens*.
- Long-life LEDs provide 139,000 hours of operation with at least 70% of initial lumen output (L70)**.
- LED color maintenance < -0.00346 chromaticity shift ($\Delta u'v'$) over the initial 6,000 hours of operation.
- Color rendering index > 90.

MOUNTING

- Surface mounting and retrofit installation.
- Covered ceiling mount .

CODE COMPLIANCE

- cETLus listed for damp locations.
- Complies with FCC part 15, class B.

WARRANTY

- 5-year warranty on all electronics and housing.



Model	Size (inches) & Weight (lbs)			
	L (in)	W (in)	H (in)	Weight
20-DR12-12L-5CCT	11.81	11.81	3.54	1.66
20-DR14-18L-5CCT	13.78	13.78	3.54	2.21
20-DR16-20L-5CCT	15.75	15.75	3.54	3.10

*Default color temperature 4000K and highest lumen output.
**L70 hours are IES TM-21-11 calculated hours.



PRODUCT PARAMETERS

MODEL	NOMINAL LUMEN OUTPUT	KELVIN (SELECTABLE)	
20-DR12	12L = 1200 lm	5CCT	2700/ 3000/ 3500/ 4000/ 5000K
20-DR14	18L = 1800 lm		
20-DR16	20L = 2000 lm		

PROJECT
TYPE
CATALOG #

20-DR SERIES

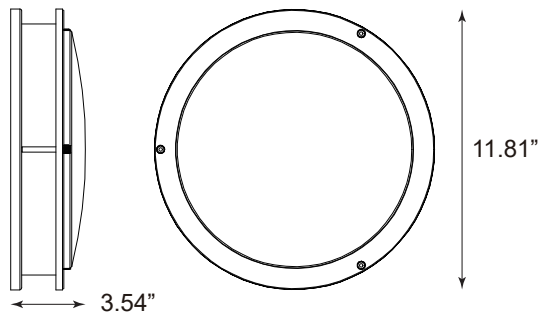
DOUBLE RING CEILING LIGHT SELECTABLE CCT

COMPATIBLE DIMMERS & CONTROLS

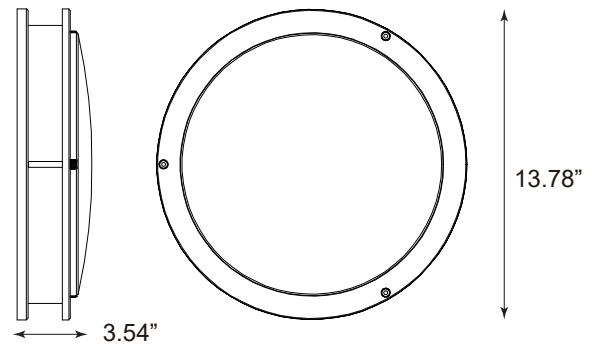
Manufacturer	Model Number		
Lutron	TG-600PR-WH	SLV-600P-AL	DVCL-153P
	S-600PR-WH	DV-600PR-WH	MSCL-OP153M
	CTCL-153PDH-WH	SCL-153PH-WH	PD-6WCL
	TGCL-153PH-LA	GT-600P	MACL-153M//MA-R
Leviton	6672	6674	IPL06
	RNL06	DSL06	-

DIMENSIONAL DRAWINGS

20-DR12-12L-5CCT



20-DR14-18L-5CCT



20-DR16-20L-5CCT

