

PROJECT
TYPE
CATALOG #

10-FPR SERIES

FLAT PANEL KELVIN FIELD SELECTABLE

HOUSING

- Premium powder-coat, aluminum, white housing.

ELECTRICAL

- Operating temperature (ambient): -20°C to 45°C (-4°F to 113°F).
- Universal 120V AC voltage (60Hz) is standard.
- 10-FPR3-4L-KFS = 6W
- 10-FPR4-6L-KFS = 9W
- 10-FPR6-10L-KFS = 14W
- 10-FPR8-14L-KFS = 17W
- Triac dimming.
- Input transient surge protection = 0.5kV.
- Type IC.
- Power factor > 0.90.
- Total Harmonic distortion < 20%.

OPTICAL SYSTEM

- Field selectable 2700k(soft white), 3000k(warm white), 3500k(warm/neutral white), 4000k (neutral white) and 5000k (cool white) color temperatures*.
- Provide a range delivers 400 to 1700 nominal lumens*.
- Long-life LEDs provide 139,000 hours of operation with at least 70% of initial lumen output (L70)**.
- Beam angle 110°.
- Color rendering index > 90.

MOUNTING

- Recessed ceiling, new construction or retrofit.
- No recessed housing required for installation.
- Access above ceiling required.
- Covered ceiling mount only.

CODE COMPLIANCE

- cETLus listed for wet locations.
- Energy Star certified.
- Complies with FCC part 15, class B.

WARRANTY

- 5-year warranty on all electronics and housing.

*Default 4000K color temperature and highest lumen output.

**10-FPR4 and 10-FPR6 L70=71,000 hours.

L70 hours are IES TM-21-11 calculated hours.



Model	Size (inches) & Weight (lbs)				Junction Box Size (inch)
	L (in)	W (in)	H (in)	Weight	
10-FPR3-4L-KFS	3.62	3.62	0.85	0.44	3.94 x 2.68 x 1.4
10-FPR4-6L-KFS	4.74	4.74	0.79	0.63	4.73 x 2.77 x 1.34
10-FPR6-10L-KFS	6.73	6.73	0.79	0.88	4.73 x 2.77 x 1.34
10-FPR8-14L-KFS	8.82	8.82	0.93	1.10	4.73 x 2.77 x 1.34



PRODUCT PARAMETERS

SERIES	NOMINAL LUMEN OUTPUT	KELVIN (SELECTABLE)	
10-FPR3	4L = 400	KFS	2700/ 3000/ 3500/ 4000/ 5000K
10-FPR4	6L = 600		
10-FPR6	10L = 1000		
10-FPR8	14L = 1400		



PROJECT
TYPE
CATALOG #

10-FPR SERIES

FLAT PANEL KELVIN FIELD SELECTABLE

ACCESSORIES (order separately)

Mounting Option:

- 10-MP-UD346-NC* = Mounting plate for 3", 4", and 6" canless recessed downlights
- 10-MP-UD46810-NC** = Mounting plate for 4", 6", 8" and 10" canless recessed downlights.

* Not compatible with 10-FPR8-14L-KFS.
 ** Not compatible with 10-FPR3-4L-KFS.

ELECTRICAL DATA

Series	Measurements	Lumens				
		2700K	3000K	3500K	4000K	5000K
10-FPR3-4L-KFS	Lumens	469	484	489	495	495
	Watts	5.85	5.77	5.74	5.89	5.91
	Efficacy	80.17	83.88	85.19	84.04	83.76

Series	Measurements	Lumens				
		2700K	3000K	3500K	4000K	5000K
10-FPR4-6L-KFS	Lumens	698	729	746	58	763
	Watts	8.72	8.63	8.42	8.53	8.75
	Efficacy	80.05	84.47	88.60	88.86	87.20

Series	Measurements	Lumens				
		2700K	3000K	3500K	4000K	5000K
10-FPR6-10L-KFS	Lumens	1180	1267	1316	1330	1278
	Watts	14.32	14.03	13.77	14.06	14.53
	Efficacy	82.40	90.31	95.57	94.59	87.96

Series	Measurements	Lumens				
		2700K	3000K	3500K	4000K	5000K
10-FPR8-14L-KFS	Lumens	1440	1584	1678	1702	1664
	Watts	17.49	17.11	16.71	16.86	17.46
	Efficacy	82.33	92.58	100.42	100.95	95.30

PROJECT
TYPE
CATALOG #

10-FPR SERIES

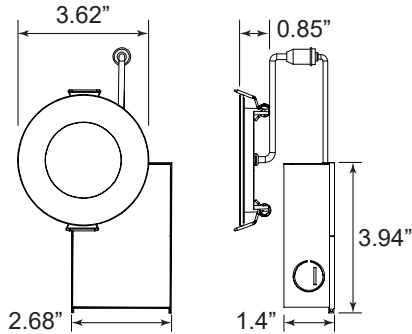
FLAT PANEL KELVIN FIELD SELECTABLE

COMPATIBLE DIMMERS & CONTROLS

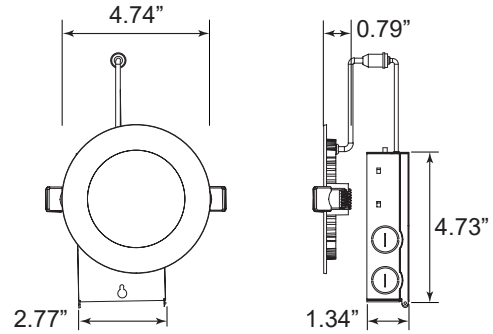
Manufacturer	Model Number		
Lutron	TG-600PR-WH	SLV-600P-AL	DVCL-153P
	S-600PR-WH	DV-600PR-WH	MSCL-OP153M
	CTCL-153PDH-WH	SCL-153PH-WH	PD-6WCL
	TGCL-153PH-LA	GT-600P	MACL-153M//MA-R
Leviton	6672	6674	IPL06
	RNL06	DSL06	-

DIMENSIONAL DRAWINGS

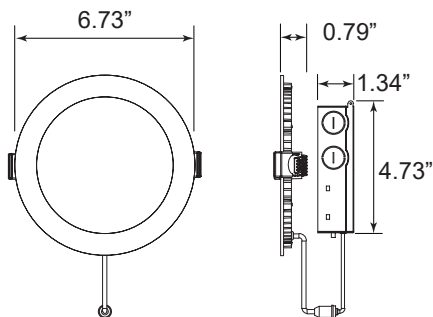
10-FPR3-4L-KFS



10-FPR4-6L-KFS



10-FPR6-10L-KFS



10-FPR8-14L-KFS

