

PROJECT
TYPE
CATALOG #

02-LEDXR

LED HIGH OUTPUT INDUSTRIAL EMERGENCY UNIT

HOUSING

- Injection-molded, engineering grade, 5VA flame retardant, high-impact thermoplastic construction.

ELECTRICAL

- Dual 120 / 277V voltage.
- Charge rate / power "ON" LED indicator light and push-to-test switch for mandated code compliance testing.
- LVD (low voltage disconnect) prevents battery from deep discharge.
- 6V / 12V maintenance-free, rechargeable sealed lead acid battery.
- Offers 38W and 88W of remoter capacity (6V / 12V DC output) standard on the 50W, and 100W models.
- Internal solid-state transfer switch automatically connects the internal battery to lamp heads for minimum 90-minute emergency illumination.
- Fully automatic solid-state, two rate charger initiates battery charging to recharge a discharged battery in 24 hours.

OPTICAL SYSTEM

- Ultra-bright, energy efficient, long-life White LED adjustable lamp heads provide up to 100-ft center-to-center spacing with a 6-ft path of egress at 15-ft mounting height.
- 6.0 watt (12 LEDs x 0.50 watt) per head.
- Adjustable glare-free PAR-Type lamp heads with all-inclusive lamp, reflector and lens assembly.

MOUNTING

- Knockouts on the back for wall mount.
- Side and top knockouts for conduit feed applications.

CODE COMPLIANCE

- Meets UL924, NFPA 101 Life Safety Code, NEC, OSHA, Local and State Codes.
- UL Listed for damp locations (20°C – 40°C)

WARRANTY

- 5-year warranty on all electronics and housing.
- Battery pro rated for two years.



Model	Size (inches) & Weight (lbs)			
	L (in)	W (in)	H (in)	Weight
02-LEDXR-65 / 125	12.68	2.95	13.7	
02-LEDXR-610 / 1210	12.68	5.00	13.7	



PRODUCT PARAMETERS

MODEL	VOLTAGE	CAPACITY	HOUSING COLOR	
02-LEDXR	6 = 6 Volts	5 = 50 Watt	Blank	White
	12 = 12 Volts	10 = 100 Watt	B	Black

PROJECT
TYPE
CATALOG #

02-LEDXR

LED HIGH OUTPUT INDUSTRIAL EMERGENCY UNIT

ELECTRICAL INFORMATION

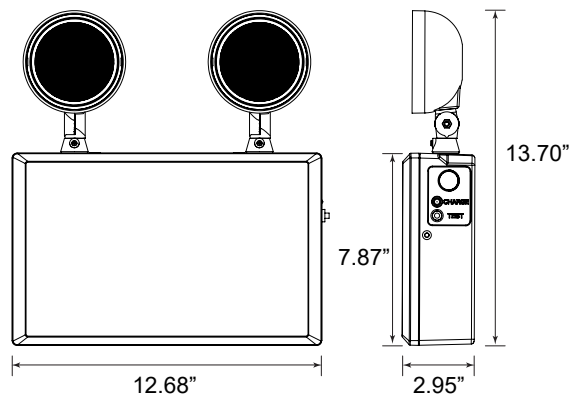
CATALOG NUMBER	INPUT WATTS (W)		INPUT AMPS (A)	
	120V	277V	120V	277V
02-LEDXR65	16.0	16.0	0.15	0.06
02-LEDXR610	30.0	30.0	0.28	0.12
02-LEDXR125	16.0	16.0	0.15	0.06
02-LEDXR1210	30.0	30.0	0.28	0.12

REMOTE LAMP COMPATIBILITY

MODEL NUMBER	BATTERY	REMOTE CAPACITY	COMPATIBLE REMOTE HEAD FAMILY			
			HPRL	RHLED-MV	RH16LED	SRHLED
02-LEDXR65	6V	38W	X	X	X	X
02-LEDXR610	6V	38W	X	X	X	X
02-LEDXR125	12V	88W	X	X	X	
02-LEDXR1210	12V	88W	X	X	X	

DIMENSIONAL DRAWINGS

02-LEDXR-65 / 125



02-LEDXR-610 / 1210

