

PROJECT
TYPE
CATALOG #

20-HBR SR

SENSOR READY ROUND HIGH BAY LUMEN & KELVIN SELECTABLE

HOUSING

- Die cast aluminum housing and polycarbonate lenses are standard. White or black housing.
- Aluminum & polycarbonate reflectors available.

ELECTRICAL

- Universal 120-277V AC voltage (50-60Hz) is standard. 347-480V achieved with step-down transformer (sold separately).
- 6-foot incoming AC power cords are standard.
- 0-10vdc dimming drivers are standard.
- Power factor > 0.90.
- Total harmonic distortion < 20%.
- Watertight, compression-type electrical connectors
- cULus listed for wet locations in ambient temperatures from -40°C to 50°C (-40°F to 122°F).

OPTICAL SYSTEM

- Field selectable 4000k (neutral white) and 5000k (cool white) color temperatures.
- LED color maintenance < 0.003 chromaticity shift ($\Delta u'v'$) over the initial 6,000 hours of operation.
- Tri-lumen selectable delivers 16,000 to 35,000 nominal lumens (see lumen table)
- Color rendering index > 80.
- LEDs provide 146,000 hours of operation with at least 70% of initial lumen output (L70), and 44,000 hours with at least 90% of initial lumen output (L90).*
- Screw in sensor ready. Sensor and remote control sold separately. Remote control required to change factory sensor settings.

MOUNTING

- Suspension from eyebolt (included) is standard.
- Ceiling-mounted installation (using optional yoke mounting bracket, provides up to 180° of adjustability).
- Two ways to mount luminaire to electrical conduit: 1) Attach conduit (1/2" NPS) to optional yoke mounting bracket. 2) Optional pendant snap hook.

CODE COMPLIANCE

- Input transient surge protection = 6kV.
- Complies with FCC Part 15, class A.
- IP65 rated for ingress protection.
- Lenses are rated IK09.

WARRANTY

- 5-year warranty on all electronics and housing.

*L₇₀ hours are IES TM-21-11 calculated hours



Model	Size (inches) & Weight (lbs)		
	Ø	H	Weight
HBR SR-221816L-4K5K	10.6	5.5	3.7
HBR SR-353024L-4K5K	13	5.6	6



PRODUCT PARAMETERS

SERIES	NOMINAL LUMEN OUTPUT (Selectable)	KELVIN (Selectable)	HOUSING COLOR
20-HBR SR	221816L = 22,000lm / 18,000lm / 16,000lm 353024L = 35,000lm / 30,000lm / 24,000lm	4K, 5K	BLK = Black WHT = White



PROJECT
TYPE
CATALOG #

20-HBR SR

SENSOR READY ROUND HIGH BAY LUMEN & KELVIN SELECTABLE

ACCESSORIES (order separately)

Sensor

- HD07VR-PH-1 = Passive infrared sensor - maximum mounting height = 39 FT, factory settings: detection area = 100%, hold time = 5 sec, stand-by period = 0 sec, stand-by dimming level = 10%, daylight threshold = disabled
- HD07VR-MH-B-1 = Microwave step-dimming sensor - maximum mounting height = 49 FT, factory settings: detection area = 100%, hold time = 5 sec, stand-by period = 0 sec, stand-by dimming level = 10%, daylight threshold = disabled
- HD05R = Remote control for HD07VR-PH-1 & HD07VR-MH-B-1 (required to change factory settings)

Step-down Transformers

- HBSD-325W-480-277 = 347-480V step-down transformer - all models

Reflectors

- HBR SR-ALREF-S = 90° aluminum reflector - HBR SR-221816L-4K5K models
- HBR SR-PCREF-S = 90° polycarbonate reflector - HBR SR-221816L-4K5K models
- HBR SR-ALREF-L = 90° aluminum reflector - HBR SR-353024L-4K5K models
- HBR SR-PCREF-L = 90° polycarbonate reflector - HBR SR-353024L-4K5K-4K5K models

Mounting Options

- HBR SR-YOKE-WHT = Yoke mount - all models - white
- HBR SR-YOKE-BLK = Yoke mount - all models - black
- LEDHBR SN-PSH-PRM-V2 = Pendant snap hook - all models
- LED FHB-CMK3 = Cable mount kit, 3 meters long - all models
- LED FHB-CMK5 = Cable mount kit, 5 meters long - all models

COMPATIBLE DIMMERS & CONTROLS

Manufacturer	Model Number	Dimming Range	Load Switching Capacity
Best Lighting	DWS-010V-T	10%-100%	600W
Best Lighting	DWS-010V-D	10%-100%	600W
Leviton	IP710-LFZ	10%-100%	1200W
Lutron	DVSTV	10%-100%	450W



20-HBRSR

SENSOR READY ROUND HIGH BAY LUMEN & KELVIN SELECTABLE

PROJECT
TYPE
CATALOG #

ELECTRICAL DATA

Series	Measurements	Low Lumens		Mid Lumens		High Lumens	
		4000K	5000K	4000K	5000K	4000K	5000K
HBRSR-221816L-4K5K	Lumens	15,891	15,522	18,790	18,218	22,935	21,802
	Watts	95	97	115	118	147	150
	Efficacy	168	161	163	155	156	145
	Input Current (A)	120V = 0.79A	120V = 0.81A	120V = 0.96A	120V = 0.98A	120V = 1.23A	120V = 1.25A
		240V = 0.40A	240V = 0.40A	240V = 0.48A	240V = 0.49A	240V = 0.61A	240V = 0.63A
		277V = 0.34A	277V = 0.35A	277V = 0.42A	277V = 0.43A	277V = 0.53A	277V = 0.54A

Series	Measurements	Low Lumens		Mid Lumens		High Lumens	
		4000K	5000K	4000K	5000K	4000K	5000K
HBRSR-353024L-4K5K	Lumens	24,368	23,920	30,801	29,953	35,716	34,621
	Watts	146	148	192	196	229	236
	Efficacy	167	161	161	153	156	147
	Input Current (A)	120V = 1.22A	120V = 1.23A	120V = 1.60A	120V = 1.63A	120V = 1.91A	120V = 1.97A
		240V = 0.61A	240V = 0.62A	240V = 0.80A	240V = 0.82A	240V = 0.95A	240V = 0.98A
		277V = 0.53A	277V = 0.53A	277V = 0.69A	277V = 0.71A	277V = 0.83A	277V = 0.85A

20-HBR SR

SENSOR READY ROUND HIGH BAY LUMEN & KELVIN SELECTABLE

PROJECT
TYPE
CATALOG #

PHOTOMETRIC DATA

HBR SR-221816L-4K5K

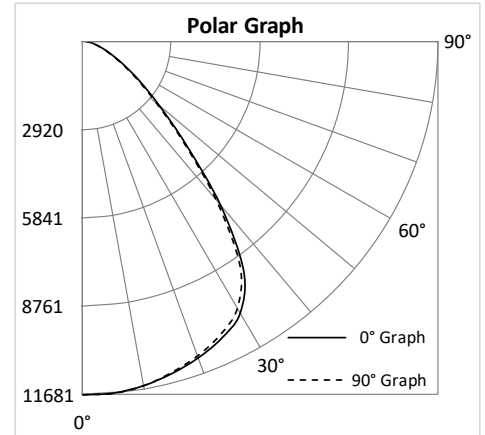
Luminaire Data

Description	Round High Bay Lumen/Kelvin Selectable
Total Lumens	21,803
Input Wattage	150
Efficacy (lm/W)	145
Spacing Criterion (0-180°)	1.3
Spacing Criterion (90-270°)	1.28

Photometrics calculated at 5000k - high lumens setting

Zonal Lumen Summary

Zone	Lumens	%Fixt
0-20°	4,293	19.7%
0-30°	9,222	42.3%
0-40°	14,678	67.3%
20-50°	14,029	64.3%
40-70°	6,597	30.3%
0-60°	20,287	93.0%
0-80°	21,704	99.5%
0-90°	21,803	100.0%
90-180°	0	0.0%
0-180°	21,803	100.0%



HBR SR-353024L-4K5K

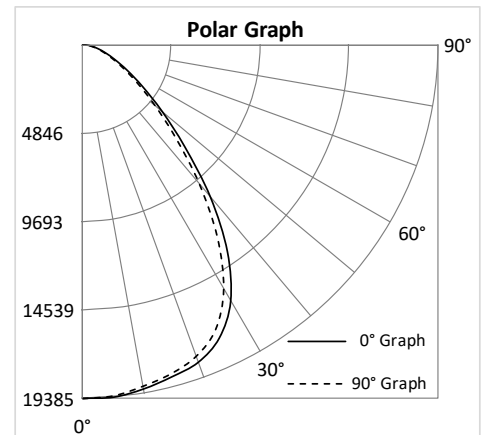
Luminaire Data

Description	Round High Bay Lumen/Kelvin Selectable
Total Lumens	34,628
Input Wattage	236
Efficacy (lm/W)	147
Spacing Criterion (0-180°)	1.24
Spacing Criterion (90-270°)	1.2

Photometrics calculated at 5000k - high lumens setting

Zonal Lumen Summary

Zone	Lumens	%Fixt
0-20°	7,096	20.5%
0-30°	14,949	43.2%
0-40°	22,917	66.2%
20-50°	21,399	61.8%
40-70°	10,642	30.7%
0-60°	31,779	91.8%
0-80°	34,413	99.4%
0-90°	34,628	100.0%
90-180°	0	0.0%
0-180°	34,628	100.0%



PROJECT
TYPE
CATALOG #

20-HBR SR

SENSOR READY ROUND HIGH BAY LUMEN & KELVIN SELECTABLE

CORDS & PLUGS

When ordering a plug, use the following suffix choices.

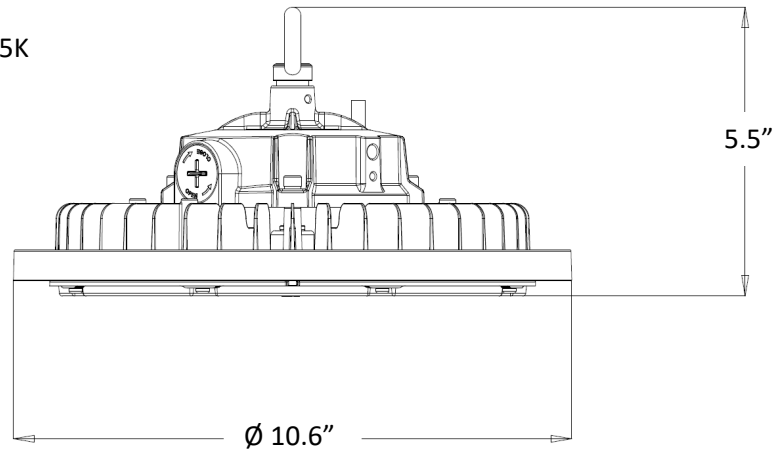
Example: HBR SR-221816L-4K5K-WHT-P515

Note: plugs do not affect the ability to install sensors.

Part number suffix	Description	For use with
P515	NEMA plug - 120V 15A	All models
P615	NEMA plug - 240V 15A	
P715	NEMA plug - 277V 15A	
P520	NEMA plug - 120V 20A	
P620	NEMA plug - 240V 20A	
P515L	NEMA plug locking - 120V 15A	
P615L	NEMA plug locking - 240V 15A	
P715L	NEMA plug locking - 277V 15A	
P520L	NEMA plug locking - 120V 20A	
P620L	NEMA plug locking - 240V 20A	
P720L	NEMA plug locking - 277V 20A	

DIMENSIONAL DRAWINGS

HBR SR-221816L-4K5K



HBR SR-353024L-4K5K

