



20-HBR SR

SENSOR READY ROUND HIGH BAY LUMEN & KELVIN SELECTABLE

PROJECT
TYPE
CATALOG #

ELECTRICAL DATA

Series	Measurements	Low Lumens		Mid Lumens		High Lumens	
		4000K	5000K	4000K	5000K	4000K	5000K
20-HBR SR-221816L-4K5K	Lumens	15,891	15,522	18,790	18,218	22,935	21,802
	Watts	95	97	115	118	147	150
	Efficacy	168	161	163	155	156	145
	Input Current (A)	120V = 0.79A	120V = 0.81A	120V = 0.96A	120V = 0.98A	120V = 1.23A	120V = 1.25A
		240V = 0.40A	240V = 0.40A	240V = 0.48A	240V = 0.49A	240V = 0.61A	240V = 0.63A
		277V = 0.34A	277V = 0.35A	277V = 0.42A	277V = 0.43A	277V = 0.53A	277V = 0.54A

Series	Measurements	Low Lumens		Mid Lumens		High Lumens	
		4000K	5000K	4000K	5000K	4000K	5000K
20-HBR SR-353024L-4K5K	Lumens	24,368	23,920	30,801	29,953	35,716	34,621
	Watts	146	148	192	196	229	236
	Efficacy	167	161	161	153	156	147
	Input Current (A)	120V = 1.22A	120V = 1.23A	120V = 1.60A	120V = 1.63A	120V = 1.91A	120V = 1.97A
		240V = 0.61A	240V = 0.62A	240V = 0.80A	240V = 0.82A	240V = 0.95A	240V = 0.98A
		277V = 0.53A	277V = 0.53A	277V = 0.69A	277V = 0.71A	277V = 0.83A	277V = 0.85A

20-HBR SR

SENSOR READY ROUND HIGH BAY LUMEN & KELVIN SELECTABLE

PROJECT
TYPE
CATALOG #

PHOTOMETRIC DATA

20-HBR SR-221816L-4K5K

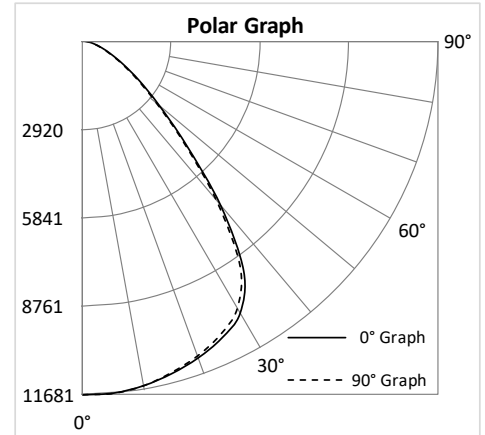
Luminaire Data

Description	Round High Bay Lumen/Kelvin Selectable
Total Lumens	21,803
Input Wattage	150
Efficacy (lm/W)	145
Spacing Criterion (0-180°)	1.3
Spacing Criterion (90-270°)	1.28

Photometrics calculated at
5000k - high lumens setting

Zonal Lumen Summary

Zone	Lumens	%Fixt
0-20°	4,293	19.7%
0-30°	9,222	42.3%
0-40°	14,678	67.3%
20-50°	14,029	64.3%
40-70°	6,597	30.3%
0-60°	20,287	93.0%
0-80°	21,704	99.5%
0-90°	21,803	100.0%
90-180°	0	0.0%
0-180°	21,803	100.0%



20-HBR SR-353024L-4K5K

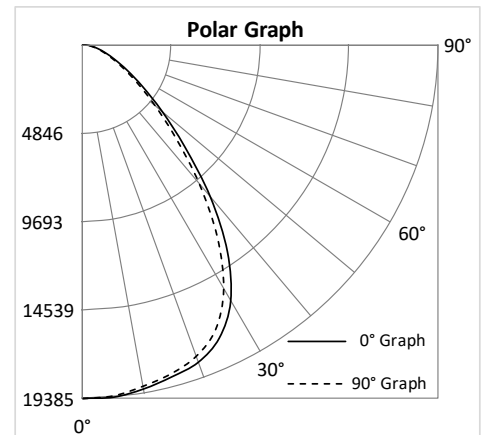
Luminaire Data

Description	Round High Bay Lumen/Kelvin Selectable
Total Lumens	34,628
Input Wattage	236
Efficacy (lm/W)	147
Spacing Criterion (0-180°)	1.24
Spacing Criterion (90-270°)	1.2

Photometrics calculated at
5000k - high lumens setting

Zonal Lumen Summary

Zone	Lumens	%Fixt
0-20°	7,096	20.5%
0-30°	14,949	43.2%
0-40°	22,917	66.2%
20-50°	21,399	61.8%
40-70°	10,642	30.7%
0-60°	31,779	91.8%
0-80°	34,413	99.4%
0-90°	34,628	100.0%
90-180°	0	0.0%
0-180°	34,628	100.0%



PROJECT
TYPE
CATALOG #

20-HBR SR

SENSOR READY ROUND HIGH BAY LUMEN & KELVIN SELECTABLE

CORDS & PLUGS

When ordering a plug, use the following suffix choices.

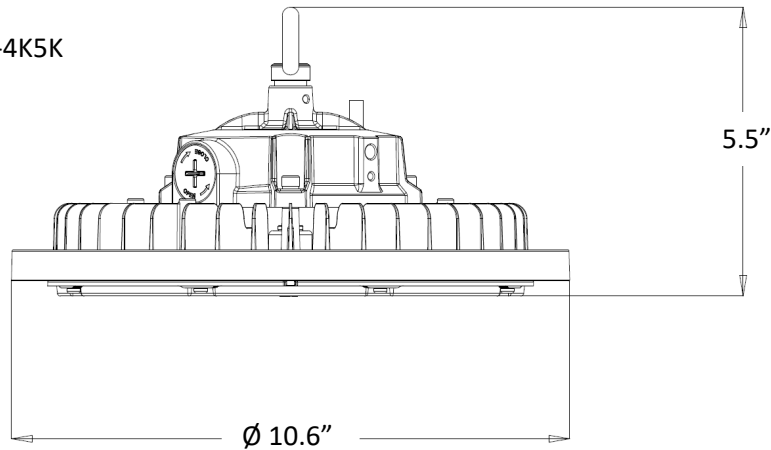
Example: HBR SR-221816L-4K5K-WHT-P515

Note: plugs do not affect the ability to install sensors.

Part number suffix	Description	For use with
P515	NEMA plug - 120V 15A	All models
P615	NEMA plug - 240V 15A	
P715	NEMA plug - 277V 15A	
P520	NEMA plug - 120V 20A	
P620	NEMA plug - 240V 20A	
P515L	NEMA plug locking - 120V 15A	
P615L	NEMA plug locking - 240V 15A	
P715L	NEMA plug locking - 277V 15A	
P520L	NEMA plug locking - 120V 20A	
P620L	NEMA plug locking - 240V 20A	
P720L	NEMA plug locking - 277V 20A	

DIMENSIONAL DRAWINGS

20-HBR SR-221816L-4K5K



20-HBR SR-353024L-4K5K

