

# 11-OBD-010V

## ON BOARD DIMMING CONTROLLER

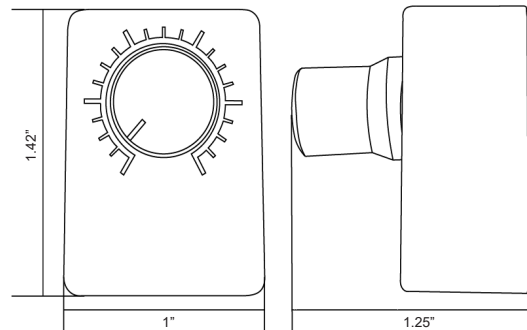
PROJECT
TYPE
CATALOG #

### FEATURES

- Compatible with 0-10V dimming drivers.
- Must be installed within enclosed wiring compartment of luminaire.
- Indoor use only.



### DIMENSIONS



### PRODUCT PARAMETER

MODEL	DESCRIPTION
11-OBD-010V	0-10V ON BOARD DIMMER