

PROJECT
TYPE
CATALOG #

# 11-PPA401S

## RF FREQUENCY CONTROL MODULE

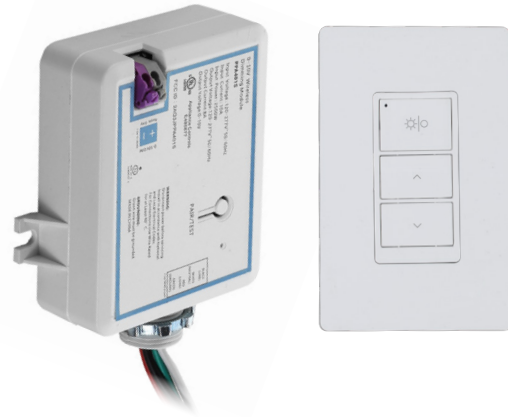
### FEATURES

- 120-277V, 50-60Hz
- Standby Power 0.6W
- Max Current 10A
- Max Power 1200W
- Rated for Indoor use only
- RF Range of 30m

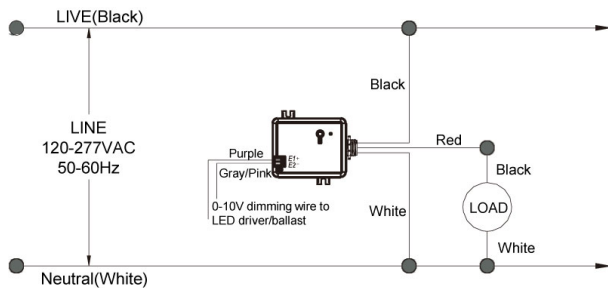
### QUICK SETUP

1. Push PAIR on the Power Pack 0-10V dimming module
2. Push ON/OFF button for 3s to PAIR with dimming module.  
You will hear a beep to indicate the controller has linked.
3. Try the buttons to confirm the remote has paired.

Remote requires a CR2032 battery. The battery is not included.

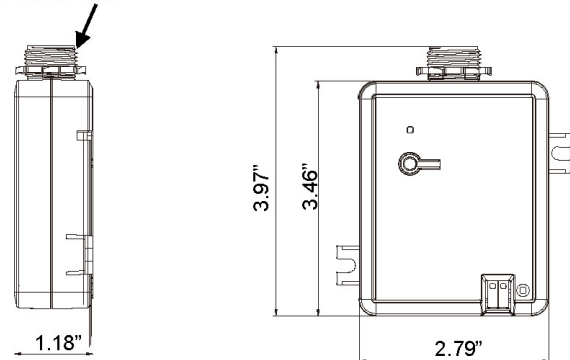


### WIRING SCHEMATIC



### DIMENSIONS

1/2" trade-size



### PRODUCT PARAMETER

MODEL	DESCRIPTION
11-PPA401S*	RF FREQUENCY CONTROL MODULE
11-WP4013**	RF REMOTE FOR CONTROL MODULE

\* Control Module requires a remote.

\*\*A single remote can be used with multiple Control Modules.

Housing mounts into standard 1/2" knockout on lighting fixture or junction box.  
Wire feed through knockout for connection inside lighting fixture or junction box.