

10-KOK-4EJCT09SR05

4" FLAT PANEL - KFS

| |
|-----------|
| PROJECT |
| |
| TYPE |
| |
| CATALOG # |
| |

FEATURES

- Field selectable 2700k (soft white), 3000k (warm white), 3500k (warm/neutral white), 4000k (neutral white), and 5000k (cool white) color temperatures
- Long-life LEDs provide at least 70% of initial lumen output (L_{70}) for 181,000 hours of operation*
- Color rendering index (R_a) > 90
- 600 nominal lumens
- 7 nominal watts
- 120 AC voltage (60Hz) is standard
- Power factor > 0.90
- Total harmonic distortion < 20%
- Triac dimming
- Aluminum housing
- Easy installation in new construction or retrofit applications
- Compatible with 4.30" ceiling cut-outs
- Type IC. Access above ceiling required. Covered ceiling mount only
- This device is not intended for use with emergency exits

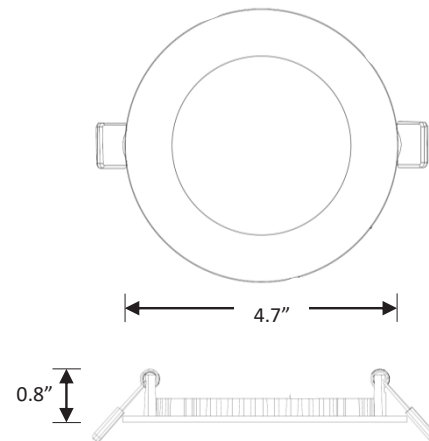


* L_{70} hours are IES TM-21-11 calculated hours.

WARRANTY & LISTINGS

- cETLus listed for wet locations not exceeding 45°C (113°F)
- Energy Star certified
- Compatible for new construction and retrofit applications
- Complies with FCC Part 15, class B
- Complies with EN61000-4-5 surge protection (0.5kV)
- 5-Year Warranty of all electronics and housing

DIMENSIONS



Weight: 0.25 lbs.

PRODUCT PARAMETER

| MODEL | COLOR TEMPERATURE | |
|--------------------|-------------------|---|
| 10-KOK-4EJCT09SR05 | SELECTABLE CCT | 2700K 3000K 3500K 4000K 5000K |