

10-CB24-LKFS

LUMEN AND KELVIN FIELD SELECTABLE CENTER BASKET

PROJECT
TYPE
CATALOG #

FEATURES

- Field selectable 3500k (warm/neutral white), 4000k (neutral white) & 5000k (cool white) color temperatures
- Long-life LEDs provide at least 196,000 hours of operation with at least 70% of initial lumen output (L₇₀)*
- Provides a range of 4,500 to 5,800 nominal lumens
- Uniform illumination with no visible LED pixilation
- Universal 120-277 AC voltage (50-60Hz) is standard
- 0-10vdc, continuous dimming capability is standard
- Power factor > 0.90
- Total harmonic distortion < 20%
- Color rendering index (Ra) > 80
- Steel housing and PMMA lens
- Easy installation in new construction or retrofit. Fits in standard 2' x 4' grid ceilings
- Built-in earthquake clips provide secure installation in grid ceilings
- Standard mounting options include recessed mounting in grid ceilings, or suspended mounting using earthquake clips. For other mounting options, see Mounting Accessories (page 4)

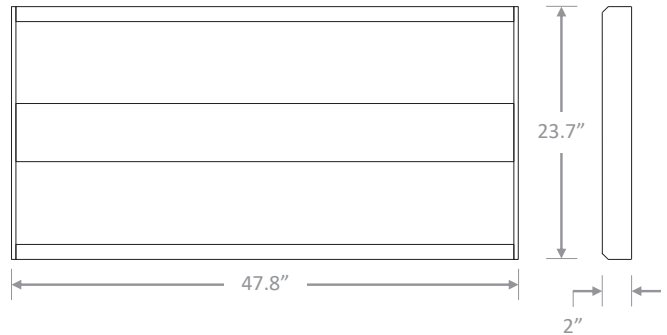
* L₇₀ hours are IES TM-21-11 calculated hours

WARRANTY & LISTINGS

- cULus listed for damp locations and insulated ceilings in ambient temperatures from -25°C to 50°C (-13°F to 122°F)
- UL listed for maximum of 4, 12 AWG through branch circuit conductor
- Inherently protected
- Type IC rated for insulated ceilings
- Low risk of flicker (per IEEE1789-2015) at 100% light output level
- Complies with FCC Part 15, class A
- Complies with IEEE C.62.41-2002, input transient surge protection (2.5kV)
- 5-year warranty of all electronics and housing



DIMENSIONS



Weight: 11 lbs.

PRODUCT PARAMETER

MODEL	LUMEN OUTPUT		SELECT	EXTERNALLY INSTALLED EMERGENCY DRIVERS ¹		ACCESSORIES (SOLD SEPARATELY)	
10-CB24	6L	6,000	LKFS	EM5	755 LUMENS	DWS-010-T	0-10V DIMMER, TOGGLE SWITCH
				EM10	1,617 LUMENS	DWS-010-D	0-10V DIMMER, DECORA SWITCH
				EM13	1,940 LUMENS	IP710-DLZ	0-10V DIMMER, BUTTON SWITCH
				BLANK	NO EMERGENCY DRIVER		

¹ See emergency driver compatibility list (page 2).



PROJECT
TYPE
CATALOG #

10-CB24-LKFS

LUMEN AND KELVIN FIELD SELECTABLE CENTER BASKET

COMPATIBLE EMERGENCY DRIVERS*

Emergency Driver Part Number	EM5		EM10		EM13	
Model	Watts	EM Lumens	Watts	EM Lumens	Watts	EM Lumens
10-CB24-6L-LKFS	5.0	755	10.7	1617	13.7	1940

* Suitable for ambient temperatures above 10°C (50°F).

ACCESSORIES (ORDER SEPARATELY)

Remote Mount Emergency Drivers*

- BLEM-CP-5C = Emergency driver - EM5
- BLEM-CP-10C = Emergency driver - EM10
- BLEM-CP-13C = Emergency driver - EM13

* Suitable for ambient temperatures above 10°C (50°F).

COMPATIBLE DIMMERS & CONTROLS

Manufacturer	Model Number	Dimming Range	Load Switching Capacity
Best Lighting	DWS-010V-T	10%-100%	600W
Best Lighting	DWS-010V-D	10%-100%	600W
Leviton	IP710-LFZ	10%-100%	1200W
Lutron	DVSTV	10%-100%	450W

PROJECT
TYPE
CATALOG #

10-CB24-LKFS

LUMEN AND KELVIN FIELD SELECTABLE CENTER BASKET

ELECTRICAL DATA

Series	Measurements	Low Lumens			Mid Lumens			High Lumens		
		3500K	4000K	5000K	3500K	4000K	5000K	3500K	4000K	5000K
10-CB24-6L-LKFS	Lumens	4466	4566	4460	4922	5062	5002	5653	5850	5675
	Watts	33	32	33	37	36	37	44	43	44
	Efficacy	134	141	134	132	139	134	128	137	129
	Input Current (A)	120V = 0.28A	120V = 0.27A	120V = 0.28A	120V = 0.31A	120V = 0.30A	120V = 0.31A	120V = 0.37A	120V = 0.36A	120V = 0.37A
		240V = 0.14A	240V = 0.13A	240V = 0.14A	240V = 0.15A	240V = 0.15A	240V = 0.15A	240V = 0.18A	240V = 0.18A	240V = 0.18A
		277V = 0.12A	277V = 0.12A	277V = 0.12A	277V = 0.13A	277V = 0.13A	277V = 0.13A	277V = 0.16A	277V = 0.16A	277V = 0.16A

PHOTOMETRIC DATA

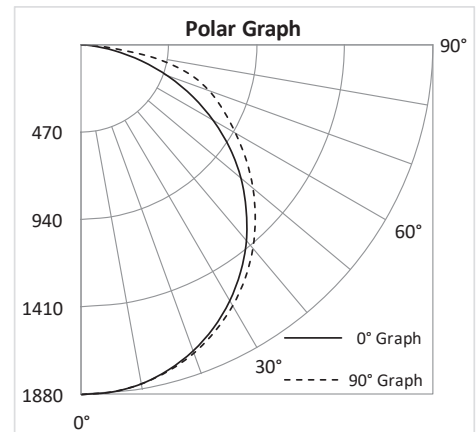
10-CB24-6L-LKFS

Luminaire Data

Description	Center Basket 2X4 6L 5K - LKFS
Total Lumens	5,675
Input Wattage	44
Efficacy (lm/W)	129
Spacing Criterion (0-180°)	1.26
Spacing Criterion (90-270°)	1.28

Zonal Lumen Summary

Zone	Lumens	%Fixt
0-20°	689	12.1%
0-30°	1,465	25.8%
0-40°	2,407	42.4%
20-50°	2,706	47.7%
40-70°	2,630	46.3%
0-60°	4,305	75.9%
0-80°	5,526	97.4%
0-90°	5,671	99.9%
90-180°	4	0.1%
0-180°	5,675	100.0%



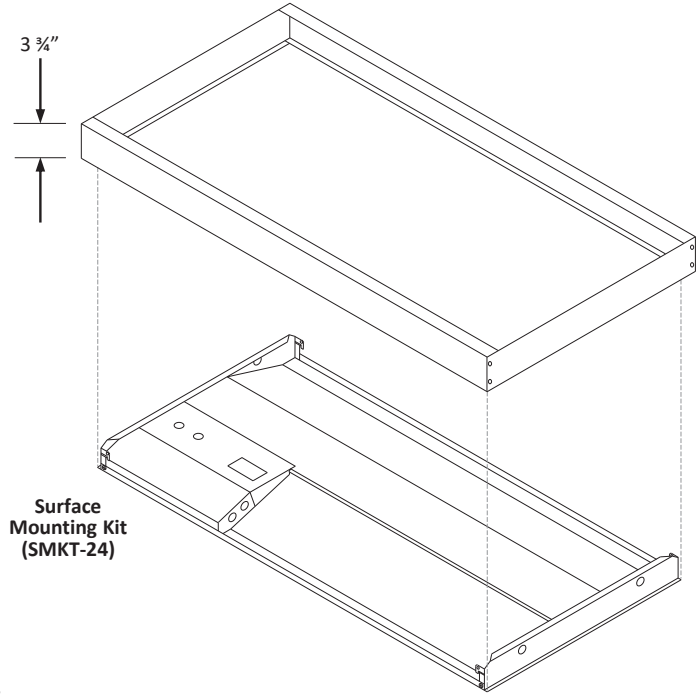
PROJECT
TYPE
CATALOG #

10-CB24-LKFS

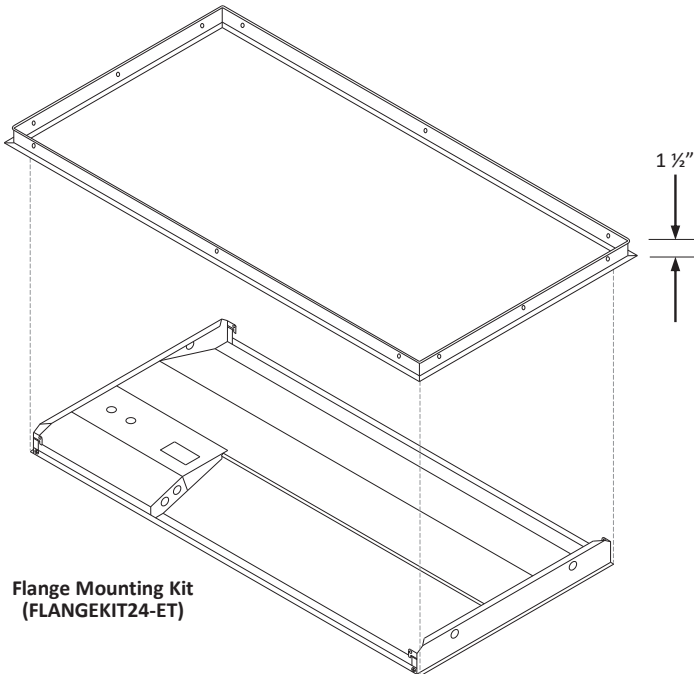
LUMEN AND KELVIN FIELD SELECTABLE CENTER BASKET

MOUNTING ACCESSORIES—ORDER SEPARATELY

- Optional surface mounting kits (SMKT-24) mounts below the ceiling.
- Optional flange mounting kits provide for recessed installation on plaster or other hard ceilings. Attach Flange Mount Kit (FLANGEKIT24-ET) to ceiling joists or other stationary structures, and the panel is mounted flush to the ceiling.
- Optional cable mounting kits provide additional security, as well as suspended mounting. Attach one end of the Cable Mount Kit (PNL-CM) to luminaire earthquake clips using spring clips, and attach the other end to stationary structures using the adjustable, locking ceiling attachment (see picture below right).

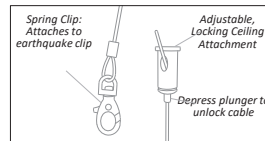


Surface Mounting Kit (SMKT-24)



Flange Mounting Kit (FLANGEKIT24-ET)

Cable Mounting Kit (PNL-CM)



Cable Mount Kit:

- Spring Clip
- Adjustable, locking ceiling attachment