

07-WPE-LKFS

ECONOMY WALL PACK

LUMEN & KELVIN FIELD SELECTABLE

| |
|-----------|
| PROJECT |
| |
| TYPE |
| |
| CATALOG # |
| |



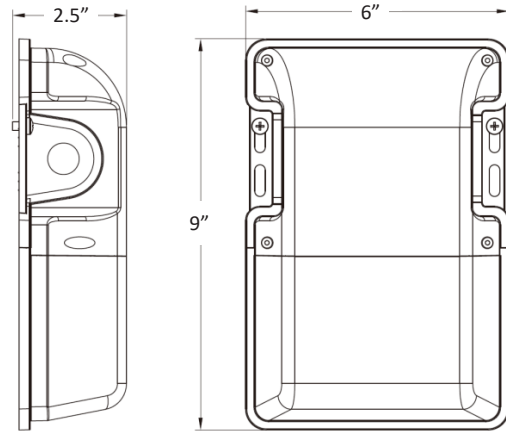
FEATURES

- Field selectable 3000k (warm white), 4000k (neutral white), and 5000k (cool white) color temperatures
- Long-life LEDs provide at least 70% of initial lumen output (L_{70}) for $\geq 156,000$ hours of operation, and at least 90% of initial lumen output (L_{90}) for $\geq 47,000$ hours of operation*
- LED chromaticity based on ≤ 5 -step ANSI quadrangles
- LED color maintenance ≤ 0.003 chromaticity shift ($\Delta u'v'$) over the initial 6,000 hours of operation
- Provides a range of 1,900 to 3,300 nominal lumens and 126 to 145 nominal lumens per watt (lm/W)
- 0-10vdc dimming drivers are standard
- Universal 120-277 AC voltage (50-60Hz) is standard
- Power factor > 0.90
- Total harmonic distortion $< 20\%$
- Color rendering index (R_a) > 80
- Integral photocell is standard
- Cast aluminum housing with dark bronze, powder coat finish
- Diffused polycarbonate lens
- One $\frac{1}{2}$ " NPT threaded opening
- Easy installation in new construction or retrofit applications

* L_{70} & L_{90} hours are IES TM-21-11 calculated hours

WARRANTY & LISTINGS

- cULus listed for wet locations in ambient temperatures from -20°C to 50°C (-4°F to 122°F)
- IP65 rated for ingress protection
- Complies with FCC Part 15, class B
- Surge protection = 4kV
- 5-Year Warranty of all electronics and housing



Weight: 1.5 lbs

PRODUCT PARAMETER

| MODEL | LUMEN OUTPUT | | SELECT |
|--------|--------------|-------|--------|
| 07-WPE | 3L | 3,000 | LKFS |

| |
|-----------|
| PROJECT |
| |
| TYPE |
| |
| CATALOG # |
| |

07-WPE-LKFS

ECONOMY WALL PACK

LUMEN & KELVIN FIELD SELECTABLE

ELECTRICAL DATA

| Series | Measurements | Low Lumens | | | Mid Lumens | | | High Lumens | | |
|----------------|-------------------|--|--|--|--|--|--|--|--|--|
| | | 3000K | 4000K | 5000K | 3000K | 4000K | 5000K | 3000K | 4000K | 5000K |
| 07-WPE-3L-LKFS | Lumens | 1939 | 2090 | 2105 | 2496 | 2709 | 2711 | 3070 | 3327 | 3325 |
| | Watts | 15 | 14 | 15 | 19 | 19 | 19 | 24 | 24 | 24 |
| | Efficacy | 132 | 145 | 143 | 129 | 143 | 140 | 126 | 140 | 137 |
| | Input Current (A) | 120V = 0.13A 240V = 0.06A 277V = 0.05A | 120V = 0.12A 240V = 0.06A 277V = 0.05A | 120V = 0.13A 240V = 0.06A 277V = 0.05A | 120V = 0.16A 240V = 0.08A 277V = 0.07A | 120V = 0.16A 240V = 0.08A 277V = 0.07A | 120V = 0.16A 240V = 0.08A 277V = 0.07A | 120V = 0.20A 240V = 0.10A 277V = 0.09A | 120V = 0.20A 240V = 0.10A 277V = 0.09A | 120V = 0.20A 240V = 0.10A 277V = 0.09A |

PHOTOMETRIC DATA

07-WPE-3L-LKFS

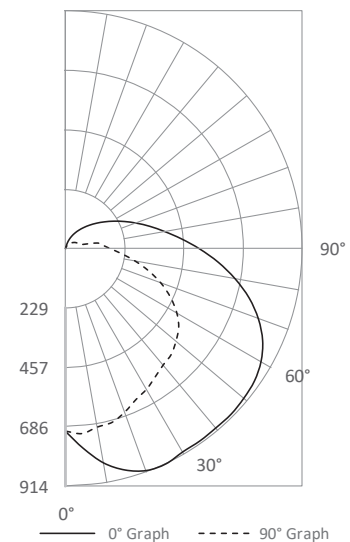
Luminaire Data

| | |
|-----------------------------|-----------------------------------|
| Description | Economy Wall Pack 3L 5K - LKFS |
| Total Lumens | 3,325 |
| Input Wattage | 24 |
| Efficacy (lm/W) | 137 |
| Max. Cd. | 914.57 (360H, 24V) |
| IES Classification | Type IV |
| Longitudinal Classification | Very Short |

Luminaire Classification Systems (LCS)

| LCS Zone | Lumens | %Lum | |
|--------------|----------|--------------|--------------|
| FL | 0-30 | 340 | 10.2% |
| FM | 30-60 | 887 | 26.7% |
| FH | 60-80 | 634 | 19.1% |
| FVH | 80-90 | 239 | 7.2% |
| BL | 0-30 | 192 | 5.8% |
| BM | 30-60 | 267 | 8.0% |
| BH | 60-80 | 112 | 3.4% |
| BVH | 80-90 | 34 | 1.0% |
| UL | 90-100 | 205 | 6.2% |
| UH | 100-180 | 415 | 12.5% |
| Total | | 3,325 | 99.9% |
| BUG Rating | B1-U3-G3 | | |

180° Polar Graph



Zonal Lumen Summary

| Zone | Lumens | %Fixt |
|----------|--------|--------|
| 0-30° | 532 | 16.0% |
| 0-60° | 1,686 | 50.7% |
| 0-80° | 2,433 | 73.2% |
| 80-90° | 273 | 10.1%* |
| 0-90° | 2,705 | 81.4% |
| 90-110° | 353 | 10.6% |
| 110-180° | 0 | 0.0% |
| 0-180° | 3,325 | 100.0% |

* 80-90° glare zone is calculated by dividing the lumens in that zone by the lumen total in the 0-90° zone