

06-MODR6

6" MODULE - KFS

PROJECT
TYPE
CATALOG #

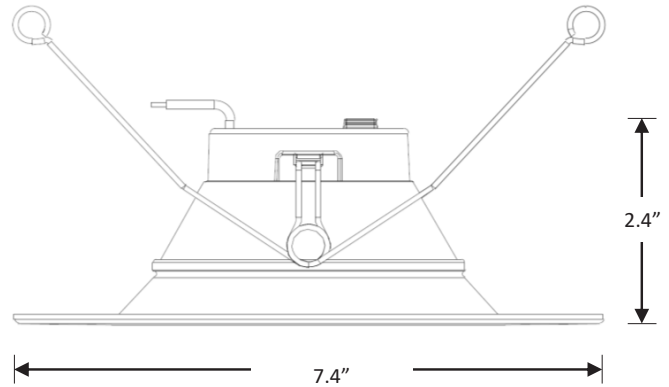
FEATURES

- Field selectable 2700k (soft white), 3000k (warm white), 3500k (warm/neutral white), 4000k (neutral white), and 5000k (cool white) color temperatures
- Long-life LEDs provide at least 70% of initial lumen output (L₇₀) for 119,000 hours of operation*
- Color rendering index (R_a) > 90
- 1,000 nominal lumens
- 14 nominal watts
- 120 AC voltage (60Hz) is standard
- Power factor > 0.90
- Triac dimming
- Aluminum housing
- Easy installation in new construction or retrofit applications
- Type IC
- This device is not intended for use with emergency exits

* L70 hours are IES TM-21-11 calculated hours.



DIMENSIONS



Weight: 0.33 lbs.

WARRANTY & LISTINGS

- cETLus listed for damp locations
- Energy Star certified
- Compatible for new construction and retrofit applications
- Complies with FCC Part 15, class B
- Complies with EN61000-4-5 surge protection (0.5kV)
- 5-year warranty of all electronics and housing

PRODUCT PARAMETER

MODEL	COLOR TEMPERATURE	
06-MODR6	SELECTABLE CCT	2700K 3000K 3500K 4000K 5000K