

PROJECT
TYPE
CATALOG #

06-DK6 SERIES

6" DISK LIGHT KELVIN FIELD SELECTABLE

HOUSING

- Premium powder-coat, steel, white housing.

ELECTRICAL

- Universal 120V AC voltage (60Hz) is standard.
- Triac dimming.
- Beam angle 120°.
- Input transient surge protection = 0.5kV.
- Power factor > 0.90.
- Total Harmonic distortion < 20%.
- OS model-provides selectable timer for 1, 5 or 8 minute interval.

OPTICAL SYSTEM

- Polycarbonate diffuser.
- Field selectable 2700k(soft white), 3000k(warm white), 3500k(warm/neutral white), 4000k (neutral white) and 5000k (cool white) color temperatures*.
- Provide 1,000 nominal lumens*.
- Long-life LEDs provide 119,000 hours of operation with at least 70% of initial lumen output (L70).**
- Color rendering index > 90.

MOUNTING

- Surface mounting and retrofit installation.
- Covered ceiling mount.

CODE COMPLIANCE

- cETLus listed for wet locations.
- Energy Star certified.
- Complies with FCC part 15, class B.

WARRANTY

- 5-year warranty on all electronics and housing.



Model	Size (inches) & Weight (lbs)			
	L (in)	W (in)	H (in)	Weight
06-DK6-10L-KFS	7.23	7.23	1.36	0.53
06-DK6-10L-KFS-OS	7.4	7.4	1.03	0.48

*Default 4000K color temperature and highest lumen output.
**L70 hours are IES TM-21-11 calculated hours.



PRODUCT PARAMETERS

MODEL	NOMINAL LUMEN OUTPUT		KELVIN (SELECTABLE)	OCCUPANCY SENSOR
06-DK6	10L = 1000 lm	KFS	2700/ 3000/ 3500/ 4000/ 5000K	Blank No Sensor OS PIR Sensor

PROJECT
TYPE
CATALOG #

06-DK6 SERIES

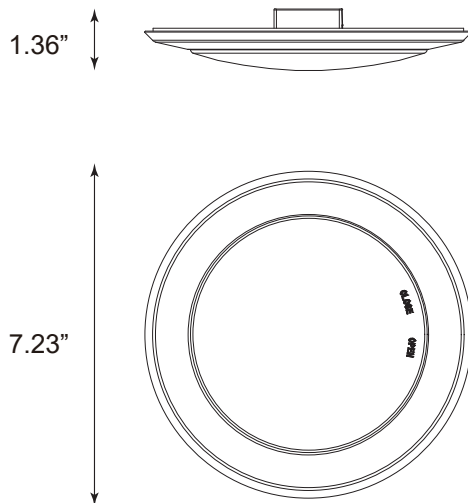
6" DISK LIGHT KELVIN FIELD SELECTABLE

COMPATIBLE DIMMERS & CONTROLS

Manufacturer	Model Number		
Lutron	TG-600PR-WH	SLV-600P-AL	DVCL-153P
	S-600PR-WH	DV-600PR-WH	MSCL-OP153M
	CTCL-153PDH-WH	SCL-153PH-WH	PD-6WCL
	TGCL-153PH-LA	GT-600P	MACL-153M//MA-R
Leviton	6672	6674	IPL06
	RNL06	DSL06	-

DIMENSIONAL DRAWINGS

06-DK6-10L-KFS



06-DK6-10L-KFS-OS

