

PROJECT
TYPE
CATALOG #

# 06-CDR6

## 6" ARCHITECTURAL DOWNLIGHT - LKFS

### FEATURES

- Field selectable 2700k (soft white), 3000k (warm white), 3500k (warm/neutral white), 4000k (neutral white), and 5000k (cool white) color temperatures
- Long-life LEDs provide at least 70% of initial lumen output ( $L_{70}$ ) for 149,000 hours of operation\*
- Color rendering index ( $R_a$ ) > 90
- Field selectable lumen output – 1,000, 1,500, or 2,000 nominal lumens
- Uses 10, 15, or 20 nominal watts
- Universal 120-277 AC voltage (50-60Hz) is standard
- Power factor > 0.90
- Total harmonic distortion < 20%
- 0-10VDC dimming is standard
- Aluminum housing with white stepped baffle
- Easy installation in new construction or retrofit applications
- Compatible with 6.30" ceiling cut-outs and 6" mounting frames
- Type IC. Access above ceiling required. Covered ceiling mount only
- This device is not intended for use with emergency exits

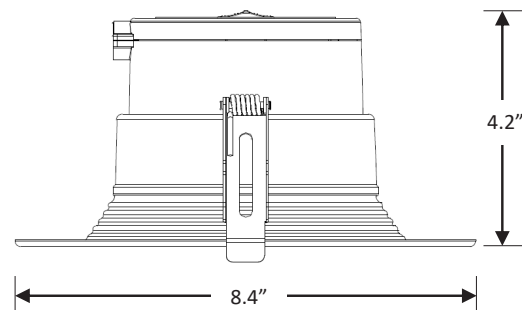


\*  $L_{70}$  hours are IES TM-21-11 calculated hours

### WARRANTY & LISTINGS

- cETLus listed for wet locations not exceeding 45°C (113°F)
- Energy Star certified
- Compatible for new construction and retrofit applications
- Complies with FCC Part 15, class B
- Complies with EN61000-4-5 surge protection (1kV)
- 5-year warranty of all electronics and housing

### DIMENSIONS



Weight: 1.4 lbs.

### PRODUCT PARAMETER

MODEL	LUMEN OUTPUT/ COLOR TEMPERATURE	
06-CDR6	SELECTABLE LUMENS	SELECTABLE LUMENS
	1,000 LM	2700K
	1,500 LM	3000K
	2,000 LM	3500K
		4000K
		5000K