

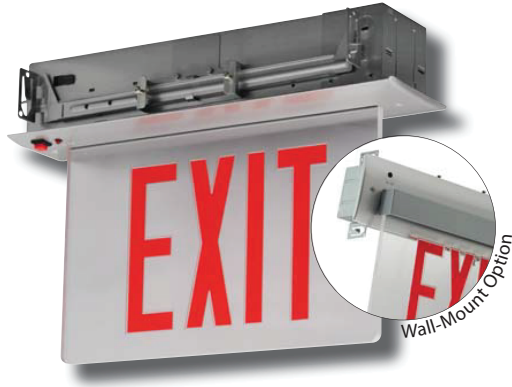


**CONTRACTOR  
LIGHTING & SUPPLY**

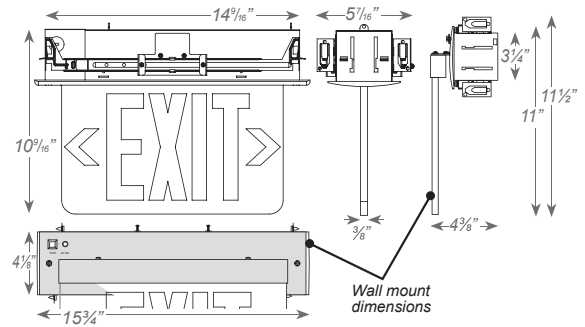
WWW.CONTRACTORLIGHTING.COM

PROJECT
TYPE
CATALOG #

# LED RECESSED EDGE LIT EXIT SIGNS



## DIMENSIONS



## ELECTRICAL

- Dual 120/277 voltage standard. Optional multi-tap 208/220/240V voltage available.
- Charge rate/power "ON" LED indicator light and push-to-test switch for mandated code compliance testing.
- 4.8V long life maintenance-free, rechargeable NiCd battery.
- Internal solid-state transfer switch automatically connects the internal battery to LED board for minimum 90-minute emergency illumination.
- Fully automatic solid-state, two-rate charger initiates battery charging to recharge a discharged battery in 24 hours.

## WARRANTY/LISTING

- Five year warranty on all electronics and housing. Batteries pro-rated for five years.
- UL Listed for damp locations (0°C - 50°C).
- Meets UL924, NFPA 101 Life Safety Code, NEC, OSHA, Local and State Codes.

## ILLUMINATION

- Ultra-bright, energy efficient, long-life Red or Green LED.
- UV-stabilized ultra-clear acrylic esgelit panel provides consistent, uniform illumination.
- Double face utilizes factory installed silver or white mylar background panel.

## OPTIONS

- SDT: Self-diagnostic feature performs monthly, biannual, and annual tests to ensure reliable operation and meet electrical and life safety codes.
- 2C: Dual-circuit option on the AC-only unit enables it to be connected to two different (one acting as a back-up to the other) supplies at the same time.
- Custom: Signs available with requested "special" wording.
- USA: Substantial transformation assembly in the U.S. complies with "Assembled in the USA" under the Buy American Act.
- SPV: UL Listed for special voltage option.
- WM: Allows for the unit to be wall recessed mounted.

## HOUSING

- Premium-grade, extruded aluminum housing.
- Extruded aluminum trim assembly is easily detachable from below, providing accessibility for service or maintenance. Available in black or white powder-coated finishes.
- Self-adhesive chevron appliques and guid template provided for directional indication.

## MOUNTING

- Compatible with drywall or drop ceiling mount installations. Bar hangers included.
- Wall mount capability optional.

## ORDERING INFORMATION

MODEL	NO. OF FACES	LETTER COLOR	PANEL	HOUSING COLOR	BATTERY	OPTIONS
02-XER	1 Single Face 2 Double Face	R Red G Green	C Clear <sup>1</sup> M Mirror W White	W White B Black A Silver	Blank AC Only EM Battery Backup	CUSTOM Custom Wording USA Assembled in USA SDT Self-Diagnostics <sup>3</sup> 2C Dual-Circuit <sup>4</sup> SPV 208/220/240 Volt, 50/60Hz <sup>2</sup> WM Wall Mount <sup>1</sup>

1. With single face only  
2. Not available with SDT  
3. Available in EM units only  
4. Available in AC units only