



**CONTRACTOR
LIGHTING & SUPPLY**

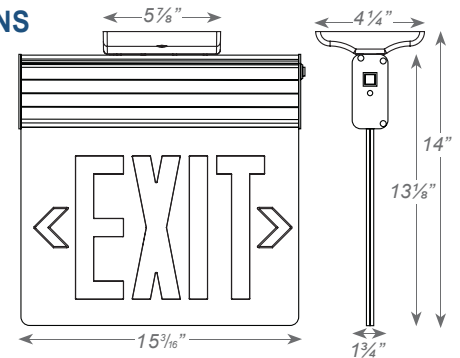
WWW.CONTRACTORLIGHTING.COM

| |
|-----------|
| PROJECT |
| TYPE |
| CATALOG # |
| |

NEW YORK CITY APPROVED ALUMINUM LED EDGELIT EXIT SIGN



DIMENSIONS



ELECTRICAL

- Dual 120/277 voltage standard. Optional multi-tap 208/220/240 voltage available.
- Charge rate/power "ON" LED indicator light and push-to-test switch for mandated code compliance testing.
- 4.8V Long life, maintenance-free, rechargeable NiCd battery.
- Internal solid-state transfer switch automatically connects the internal battery to LED board for minimum 90-minute emergency illumination.
- Fully automatic solid-state, two-rate charger initiates battery charging to recharge a discharged battery in 24 hours.

MOUNTING

- Aluminum mounting canopy included for top or end mount.

WARRANTY/LISTING

- Five year warranty on all electronics and housing. Batteries pro-rated for five years.
- UL Listed for damp locations (0°C - 50°C).
- Meets UL924, NFPA 101 Life Safety Code, NEC, OSHA, Local and State Codes.

HOUSING

- Premium-grade, extruded aluminum housing (also available in black or white powder-coated finishes).
- Self-adhesive chevron appliques and guide template provided for directional indication.

OPTIONS

- SDT: Self-diagnostic feature performs monthly, biannual, and annual test to ensure reliable operation and meet electrical and life safety codes.
- SPV: UL Listed for special voltage option.

ILLUMINATION

- Ultra-bright, energy efficient, long-life Red LED.
- UV-stabilized ultra-clear acrylic edgelit panel provides consistent, uniform illumination.
- Double face utilizes factory installed silver or white mylar background panel.
- New York City approved 8" EXIT letters.

ORDERING INFORMATION

| MODEL | NO. OF FACES | LETTER COLOR | PANEL | HOUSING COLOR | BATTERY | OPTIONS |
|-----------|--------------------------------|--------------|---|----------------------------------|------------------------------------|--|
| 02-NYX-ED | 1 Single Face 2 Double Face | R Red | C Clear ¹ M Mirror W White | W White B Black A Aluminum | Blank AC Only EM Battery Backup | SDT Self-Diagnostics ³ SPV 208/220/240 Volt, 50/60Hz ² |

¹ With single face only.

² Not available with SDT options.

³ Available only with Em units.



**CONTRACTOR
LIGHTING & SUPPLY**
WWW.CONTRACTORLIGHTING.COM

| |
|-----------|
| PROJECT |
| |
| TYPE |
| |
| CATALOG # |
| |

NEW YORK CITY APPROVED ALUMINUM LED EDGELIT EXIT SIGN

ELECTRICAL INFORMATION

| CATALOG NUMBER | INPUT WATTS (W) | | | | | INPUT AMPS (A) | | | | |
|------------------|-----------------|------|------|------|------|----------------|-------|-------|-------|-------|
| | 208V | 208V | 208V | 208V | 208V | 208V | 208V | 208V | 208V | 208V |
| 02-NYX-ED-EM-SPV | 3.6 | 4.0 | 3.9 | 3.93 | 3.98 | 0.030 | 0.020 | 0.023 | 0.022 | 0.021 |
| 02-NYX-ED-SDT | 3.6 | 4.0 | - | - | - | 0.030 | 0.020 | - | - | - |