



**CONTRACTOR
LIGHTING & SUPPLY**

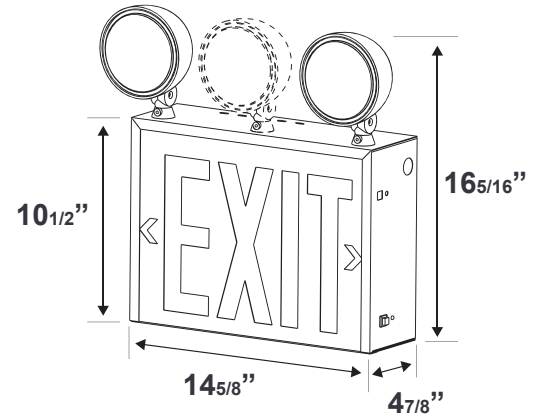
WWW.CONTRACTORLIGHTING.COM

PROJECT
TYPE
CATALOG #

NEW YORK CITY APPROVED LED EXIT / INCANDESCENT EMERGENCY COMBO



DIMENSIONS



ELECTRICAL

- Dual 120/277 voltage
- Charge rate/power "ON" LED indicator light and push-to-test switch for mandated code compliance testing.
- LVD (low voltage disconnect) prevents battery from deep discharge.
- 6V maintenance-free, rechargeable Sealed lead acid battery.
- Internal solid-state transfer switch automatically connects the internal battery to LED board for minimum 90-minute emergency illumination.
- Fully automatic solid-state, two-rate charger initiates battery charging to recharge a discharged battery in 24 hours.

HOUSING

- Durable, powder-coated 20-gauge steel construction in white or black finish.
- Injection-molded, engineering grade 5VA, flame retardant, high-impact resistant thermoplastic housing in white or black finish.
- Field removable steel knockout Chevron directional indicators on exit face.

WARRANTY/LISTING

- Five year warranty on all electronics and housing. Batteries pro-rated for two years.
- UL Listed for damp locations (0°C - 50°C).
- Meets UL924, NFPA 101 Life Safety Code, NEC, OSHA, Local and State Codes.

MOUNTING

- Mounting hardware provided for back surface wall mount.
- Top and side K/Os provided for conduit feed applications.

ILLUMINATION

- Ultra-bright, energy efficient, long-life Red LED.
- Two fully-adjustable 12 watt, glare-free lamp heads with field installable 3rd emergency lighting head included.
- K/Os provided on sides of unit to relocate lamp heads.
- High-performance smooth metal reflector and glass lens for optimal light distribution
- NY compliant 8" exit letters.

ORDERING INFORMATION

MODEL	NO. OF FACES	LETTER COLOR	PANEL	HEAD NUMBER
02-NYC	1 Single Face	R Red	W White B Black	3 Standard NH No Heads



**CONTRACTOR
LIGHTING & SUPPLY**

WWW.CONTRACTORLIGHTING.COM

PROJECT
TYPE
CATALOG #

NEW YORK CITY APPROVED LED EXIT / INCANDESCENT EMERGENCY COMBO

ELECTRICAL

Input Watts (W)		Input Amps (A)	
120V	277V	120V	277V
12.7	14.3	0.115	0.056

CENTER TO CENTER SPACING GUIDELINES

NIT
LATI N
LI HT E

1	0.05	0.05	0.06	0.10	0.16	0.15	0.17	0.23	0.43	0.53	0.60	0.59	0.62	0.49	0.55	0.49	0.37	0.27	0.19	0.14	0.12	0.10	0.08	0.05	
2	0.04	0.05	0.07	0.11	0.15	0.13	0.18	0.25	0.53	0.61	0.60	0.63	0.72	0.56	0.59	0.61	0.44	0.35	0.22	0.15	0.13	0.10	0.09	0.06	
3	0.05	0.05	0.07	0.11	0.13	0.14	0.22	0.59	1.54	1.45	1.35	1.08	0.83	1.49	1.69	1.72	1.20	0.81	0.31	0.17	0.13	0.11	0.10	0.07	
4	0.04	0.05	0.08	0.11	0.12	0.15	0.22	1.26	3.19	3.21	3.42	3.66	0.80	2.61	2.89	2.68	1.99	1.52	0.60	0.15	0.12	0.10	0.08	0.08	
5	0.04	0.05	0.09	0.11	0.12	0.14	0.19	0.42	0.64	0.63	0.62	0.66	0.52	0.42	0.47	0.44	0.41	0.34	0.20	0.13	0.09	0.09	0.07	0.06	
6	0.01	0.07	0.08	0.09	0.11	0.12	0.15	0.25	0.30	0.27	0.27	0.30	0.36	0.24	0.24	0.24	0.22	0.21	0.15	0.13	0.09	0.08	0.08	0.06	
	12	11	10	9	8	7	6	5	4	3	2	1	0	1	2	3	4	5	6	7	8	9	10	11	12

Meets NFPA 101 Requirements for: 11' center-to-center spacing - 3' path of egress 2' from wall - 7 1/2' mounting height.