



**CONTRACTOR  
LIGHTING & SUPPLY**

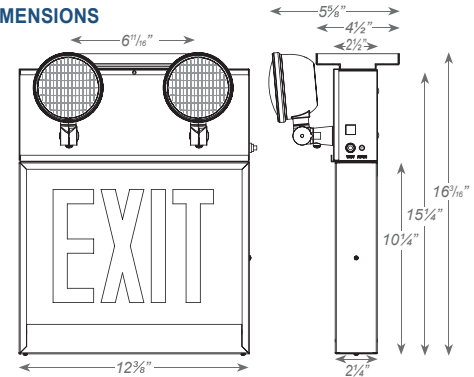
WWW.CONTRACTORLIGHTING.COM

PROJECT
TYPE
CATALOG #

# CHICAGO APPROVED STEEL LED EXIT & EMERGENCY COMBO



DIMENSIONS



## ELECTRICAL

- Dual 120/277 voltage standard.
- Charge rate/power "ON" LED indicator light and push-to-test switch for mandated code compliance testing.
- 6V sealed lead acid, maintenance-free, rechargeable battery.
- LVD (low voltage disconnect) prevents battery from deep discharge.
- Internal solid-state transfer switch automatically connects the internal battery to LED board and LED lamp heads for minimum 120 minute emergency illumination.
- Fully automatic solid-state, two-rate charger initiates battery charging to recharge a discharged battery in 24 hours.
- Remote capacity 10W available.

## WARRANTY/LISTING

- Five year warranty on all electronics and housing. Batteries pro-rated for two years.
- UL Listed for damp locations (0°C - 50°C).
- Meets UL924, NFPA 101 Life Safety Code, NEC, OSHA, Local and State Codes.

## HOUSING

- Durable 20-gauge steel construction.
- Neutral white or black finish.

## MOUNTING

- Mounting canopy included for top or end mount.
- Universal K/O pattern on back plate for wall mount.

## ILLUMINATION

- Long lasting, energy efficient white LED exit sign illumination.
- Single or double face configuration.
- Two 6V 5.3W adjustable white LED lamp heads.

## ORDERING INFORMATION

MODEL	NO. OF FACES	LETTER COLOR	HOUSING COLOR	OPTIONS	SIGNAGE	DIRECTIONAL ARROWS
02-CH-CHLEDX	1 Single Face	Red	W White	RC Remote Capacity	BLANK Exit	NA Exit No Arrow DA Exit Double Arrow RA <sup>1</sup> Exit Right Arrow LA <sup>1</sup> Exit Left Arrow LARA <sup>2</sup> Exit Left/Right Arrow
	2 Double Face		B Black		SW Stairs	SWLA <sup>1</sup> Stairs Left Arrow SWNA Stairs No Arrow SWDA Stairs Double Arrow SWRA <sup>1</sup> Stairs Right Arrow SWLARA <sup>1</sup> Stairs Left/Right Arrow

1. Available only with single face units.  
2. Available only with double face units.



**CONTRACTOR  
LIGHTING & SUPPLY**  
WWW.CONTRACTORLIGHTING.COM

PROJECT
TYPE
CATALOG #

# CHICAGO APPROVED STEEL LED EXIT & EMERGENCY COMBO

## ELECTRICAL INFORMATION

CATALOG NUMBER	INPUT WATTS (W)		INPUT AMPS (A)	
	120V	277V	120V	277V
02-CH-CHLEDX	12	13	0.12A	0.06A
02-CH-CHLEDX-RC	12	13	0.12A	0.06A