



PROJECT
TYPE
CATALOG #

06-6RKT-ARC 6" LED ARCHITECTURAL RETROFIT

APPLICATIONS

The 06-6RKT-ARC" 6 Architectural LED series are commercial-grade quality luminaires. These retrofit kits convert nearly any existing 6-inch incandescent, HID or CFL into LED fixtures. They are upgradeable to the latest and most advanced LED technology. Enjoy energy savings and maintenance-free service with 50,000 hours of life in typical commercial applications.

FEATURES

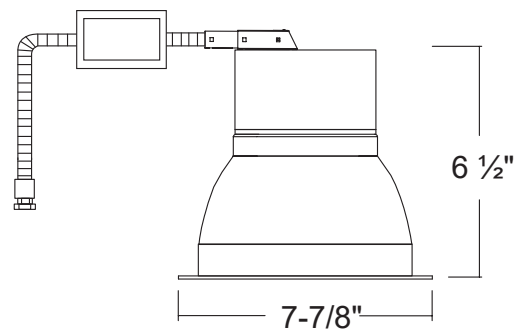
- Installs from below ceiling, retrofit housing is secured in place by 3 tension clips (clips NOT included with the retrofit).
- 28 Watt available in 3000K
- 40 Watt available in 4000K
- Conduit quick-connects
- Consistent fixture-to-fixture color temperature within 3 MacAdam Ellipses.
- Integral heat sink conducts heat away from LED Light engine
- Driver is accessible from below the ceiling and can be upgraded to accommodate future technology improvements
- Universal 120-277 AC voltage (50/60Hz)
- 0-10v dimming
- Color rendering index ≥ 80
- Long life LEDs - up to 50,000 hours
- Operation Temp. $-30^{\circ}\text{C} \sim 40^{\circ}\text{C}$ ($-22^{\circ}\text{F} \sim 104^{\circ}\text{F}$)
- IC Rated

* Contact factory for other color temperatures and lumen packages.

** L_{70} hours are IES TM-21-11 calculated hours.



DIMENSIONS



WARRANTY & LISTINGS

- cULus Listed
- Suitable for wet locations (not suitable for coastal/salt water area)
- RoHS compliant
- 5-Year Warranty of all electronics and housing

ORDERING INFORMATION

MODEL	LUMINAIRE WATTS	LUMINAIRE LUMENS	LUMENS PER WATT	COLOR TEMPERATURE
06-6RKT-ARC28-3K	28	2210	79	3K = 3000k
06-6RKT-ARC40-4K	40	2980	75	4K = 4000k