

|           |
|-----------|
| PROJECT   |
|           |
| TYPE      |
|           |
| CATALOG # |
|           |

# 08-DDAL

## LED DUSK-TO-DAWN

### FEATURES

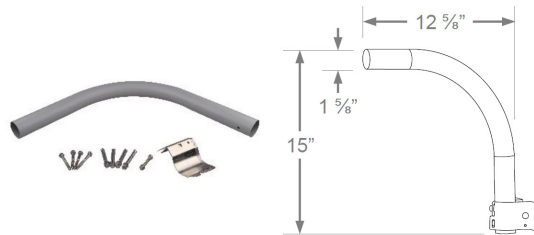
- Available in 5000k (cool white) color temperature\*
- Long-life LEDs provide 372,000 hours of operation with at least 70% of initial lumen output ( $L_{70}$ ), and 103,000 hours with at least 90% of initial lumen output ( $L_{90}$ )\*\*
- LED chromaticity based on  $\leq 7$ -step ANSI quadrangles
- LED color maintenance  $\leq 0.002$  chromaticity shift ( $\Delta u'v'$ ) over the initial 6,000 hours of operation
- Provides 5,444 lumens and draws 39 watts (140 lumens per watt)\*
- Universal 120-277 AC voltage (50-60Hz)
- 0-10vdc dimming drivers are standard
- Power factor  $\geq 0.90$
- Total harmonic distortion  $\leq 20\%$
- Color rendering index ( $R_a$ )  $> 70$ . Red color rendering  $> -36$
- NEMA photocell receptable & photocell are standard
- Die cast aluminum housing with silver powder coat finish
- Polycarbonate lens
- Easy installation in new construction or retrofit

\* Contact factory for other color temperatures and lumen packages.  
\*\* L70 hours are IES TM-21-11 calculated hours.



### MOUNTING ARM (ORDER SEPARATELY)

- Optional powder-coated steel mounting arm attaches to poles or walls
- Mounting bracket included

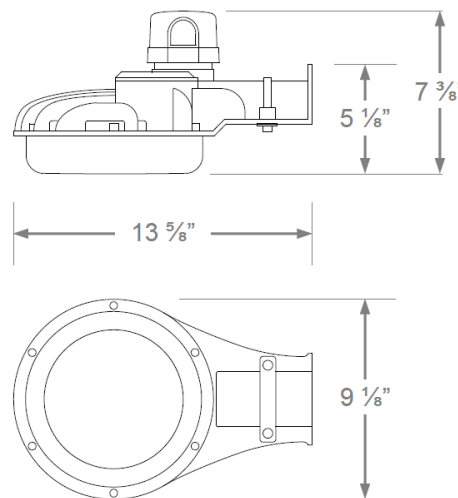


### WARRANTY & LISTINGS

- cULus listed for wet locations in ambient temperatures from -40°C to 50°C (-40°F to 122°F)
- Complies with IEC61000-4-5, input transient surge protection (2kV)
- Complies with FCC Part 15, class A
- IP65 rated for ingress protection
- 5-year warranty of all electronics and housing



### DIMENSIONS



### PRODUCT SPECIFICATIONS

Example: 08-DDAL-5L-5K

| SERIES  | NOMINAL LUMEN OUTPUT | COLOR TEMPERATURE | ACCESSORIES (ORDER SEPARATELY) |                           |
|---------|----------------------|-------------------|--------------------------------|---------------------------|
| 08-DDAL | 5L = 5,000 LUMENS    | 5K = 5,000K       | LED-DDALSN-ARM                 | MOUNTING ARM WITH BRACKET |

# 08-DDAL

## LED DUSK-TO-DAWN

### ELECTRICAL DATA

| Model         | CCT   | CRI <sup>1</sup> | Luminaire Lumens | Luminaire Watts | Lumens Per Watt | Input Voltage | Input Current (A) |      |      | Power Factor | THD <sup>2</sup> | L <sub>70</sub> Hours <sup>3</sup> |
|---------------|-------|------------------|------------------|-----------------|-----------------|---------------|-------------------|------|------|--------------|------------------|------------------------------------|
|               |       |                  |                  |                 |                 |               | 120V              | 240V | 277V |              |                  |                                    |
| 08-DDAL-5L-5K | 5000k | > 70             | 5,444            | 39              | 140             | 120-277       | 0.33              | 0.16 | 0.14 | > 90%        | < 20%            | 372,000                            |

<sup>1</sup> Color rendering index

<sup>2</sup> Total harmonic distortion

<sup>3</sup> L<sub>70</sub> refers to the number of hours at which lumen output declines to 70% of the initial level. L<sub>70</sub> hours are IES TM-21-11 calculated hours.

### PHOTOMETRIC DATA

#### 08-DDAL-5L-3K Luminaire Data

|                             |                      |
|-----------------------------|----------------------|
| Description                 | Dusk-To-Dawn, 5L, 5K |
| Total Lumens                | 5,288                |
| Input Wattage               | 39                   |
| Efficacy (lm/W)             | 136                  |
| Max. Cd.                    | 1368.73 (45H, 47V)   |
| IES Classification          | Type VS              |
| Longitudinal Classification | Very Short           |

#### Luminaire Classification Systems (LCS)

| LCS Zone     | Lumens  | %Lum         |               |
|--------------|---------|--------------|---------------|
| FL           | 0-30    | 439          | 8.3%          |
| FM           | 30-60   | 1,428        | 27.0%         |
| FH           | 60-80   | 734          | 13.9%         |
| FVH          | 80-90   | 34           | 0.6%          |
| BL           | 0-30    | 433          | 8.2%          |
| BM           | 30-60   | 1,407        | 26.6%         |
| BH           | 60-80   | 698          | 13.2%         |
| BVH          | 80-90   | 31           | 0.6%          |
| UL           | 90-100  | 28           | 0.5%          |
| UH           | 100-180 | 57           | 1.1%          |
| <b>Total</b> |         | <b>5,288</b> | <b>100.0%</b> |

BUG Rating

B2-U3-G1

