



PROJECT
TYPE
CATALOG #

STEEL HOUSING LED EMERGENCY LIGHT



ELECTRICAL

- Dual 120V/277V.
- Charge rate/power "ON" LED indicator light and push-to-test switch for mandated code compliance testing.
- LVD (low voltage disconnect) prevents battery from deep discharge.
- 6V sealed lead acid, maintenance-free, rechargeable battery.
- Internal solid-state transfer switch automatically connects the internal battery to lamp heads for minimum 90-minute emergency illumination.
- Fully automatic solid-state, two rate charger initiates battery charging to recharge a discharged battery in 24 hours.
- Remote capacity of 25W standard.
- Runs up to 8 hours without remote heads.

MOUNTING

- Knockouts on the back for wall mount.
- Side and top knockouts for conduit feed applications.

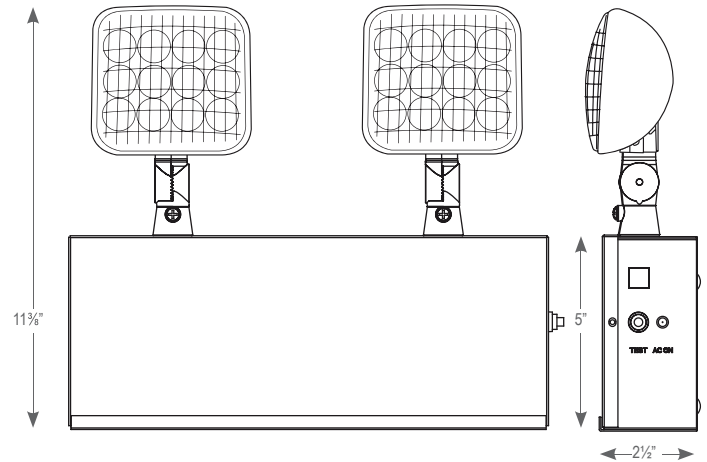
HOUSING

- Durable 20-gauge steel construction.
- White finish.

ILLUMINATION

- Two, 6V, 1.0W adjustable square LED lamp heads in engineering grade, high-impact resistant, thermoplastic

DIMENSIONS



WARRANTY/LISTING

- UL listed for damp locations (20°C - 50°C) standard.
- Five year warranty on all electronics and housing. Battery pro rated for two years.
- Meets UL924, NFPA 101 Life Safety Code, NEC, OSHA, Local and State Codes.

ORDERING INFORMATION

MODEL	VOLTAGE	WATTS (for 90 mins.)	HOUSING COLOR
02-ERCLED627	6V	27	Blank - White



CONTRACTOR LIGHTING & SUPPLY

WWW.CONTRACTORLIGHTING.COM

PROJECT
TYPE
CATALOG #

STEEL HOUSING LED EMERGENCY LIGHT

ELECTRICAL INFORMATION

CATALOG NUMBER	INPUT WATTS (W)		INPUT AMPS (A)	
	120V	277V	120V	277V
02-ERCLED627	11.0	11.0	0.11A	0.04A

	MAXIMUM WATTAGE ALLOWED
02-ERCLED627	20

REMOTE LAMP COMPATIBILITY

MODEL NUMBER	BATTERY	REMOTE CAPACITY	COMPATIBLE REMOTE HEAD FAMILY														
			RHLED			RH16LED	RH16		RH		RHR		SRH		SRHLED		
			3.6V	9.6V	MV		6V	12V	6V	12V	6V	12V	6V	12V			
02-ERCLED627	6V	25W			X	X	X		X		X		X		X		X