



PROJECT
TYPE
CATALOG #

180° PIR WALLBOX VACANCY & OCCUPANCY WALL SENSOR THREE-WAY

APPLICATIONS

The PIR wallbox vacancy & occupancy sensor is designed to replace a standard light or fan switch. This device can detect motion from a heat-emitting source (such as a person entering a room) within its field-of-view and automatically turn lights ON and OFF. The controlled lights will remain ON until no motion is detected and time delay has expired. It's suitable for indoor use only.

ILLUMINATION

- Passive Infrared (PIR) Technology
- Replaces a standard light or fan single-pole switch
- Automatic ON/OFF and Manual ON / Automatic OFF operation
- Required Neutral wire
- LED Indicates motion was sensed
- Adjustable time delay from 15 seconds - 30 minutes
- Works with most common lighting types
- California Title 24 compliant
- Two year warranty

PARAMETERS

- Voltage: 120/277VAC, 60Hz
- Coverage: 180°, max 720ft 2 (67m2)
- Load horse power : L 1/5hp
- Operating Temp: 32° to 131°F (0° to 55°C)
- Humidity: 95% RH non-condensing
- Coverage Range: 180 Degrees
- Load requirements: 0-800W/0-1200W Incandescent, fluorescent, indicate LED lamp, compact fluorescent (CFL), magnetic low-voltage (MLV) and electronic low-voltage (ELV).

PART NUMBER

11-SOVS-WH-MV



TYPICAL APPLICATIONS

- Private Offices
- Copy Rooms
- Conference Rooms
- Lunch / Break Rooms
- Restrooms
- Storage Rooms
- Classrooms
- Common Areas

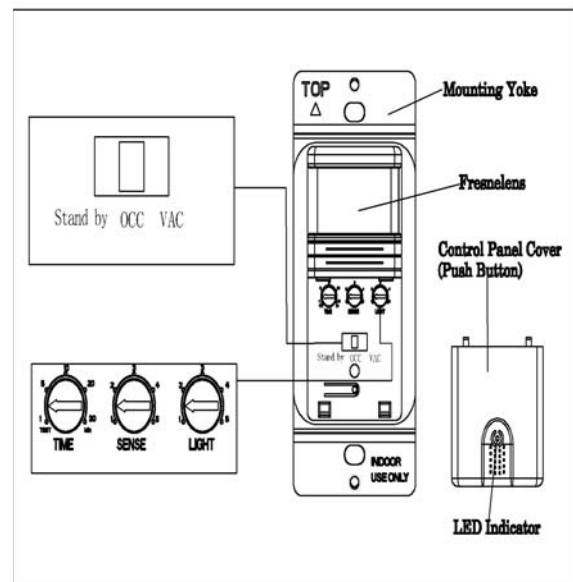
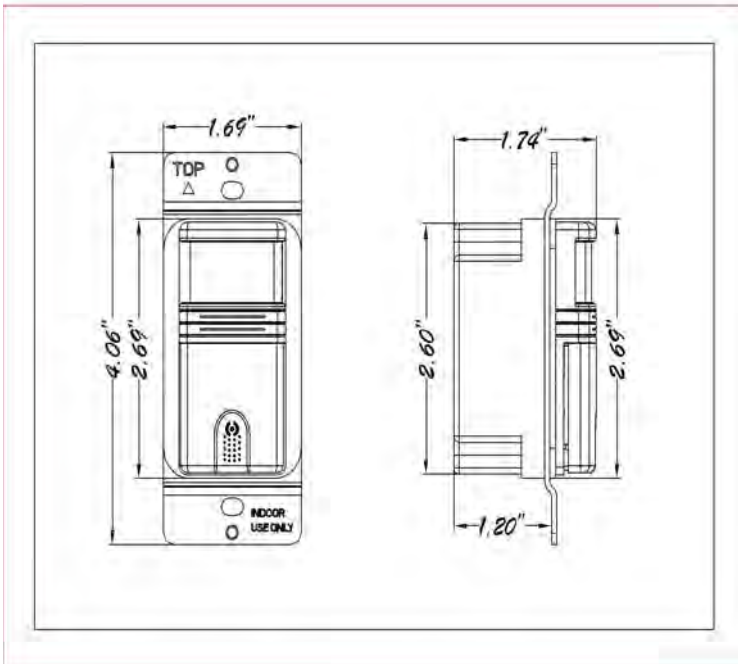
**** Can be used in Single Pole and/or Three-Way Applications****



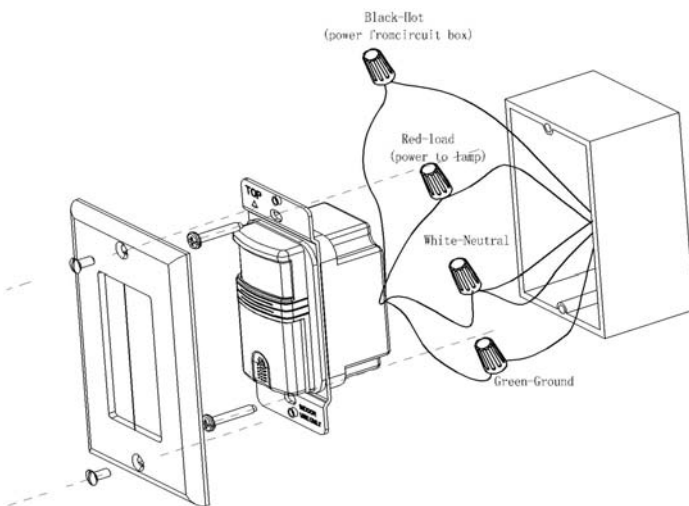
PROJECT
TYPE
CATALOG #

180° PIR WALLBOX VACANCY & OCCUPANCY WALL SENSOR THREE-WAY

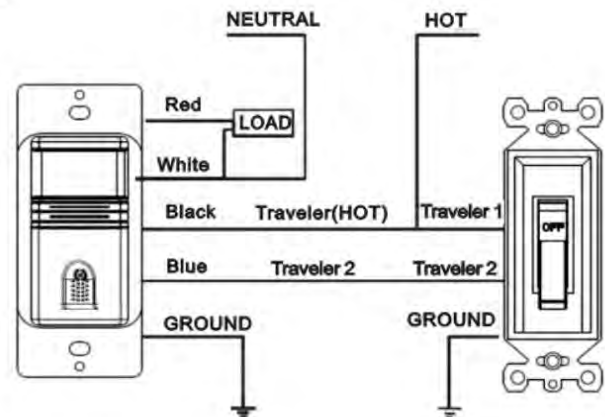
DIMENSIONAL DIAGRAMS



WIRING DIAGRAM



Wall Switch Occupancy Sensor
 Wiring Diagram,
 Single Way Control



Wall Switch Occupancy Sensor
 Wiring Diagram,
 Three Way Control