

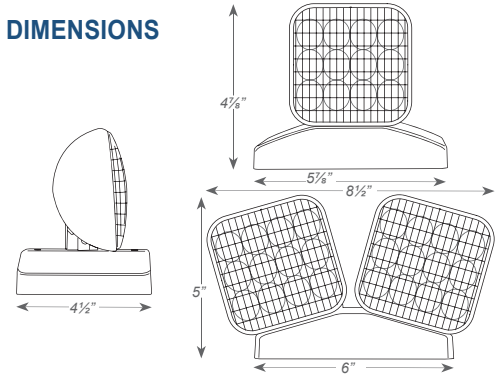


PROJECT
TYPE
CATALOG #

INDOOR LED REMOTE HEAD



DIMENSIONS



ILLUMINATION

- Long lasting, efficient, ultra bright white LED lamp heads
- High performance chrome-plated metallized reflector and plastic lens with 8 or 12 LED's in each lamp head for optimal light distribution
- Adjustable LED lamp heads increases center-to-center spacing

MOUNTING

- Universal mounting base plate included with mounting hardware
- Distance of maximum run is determined by system voltage, wire gauge and total maximum wattage on the run
- Suitable for wall or ceiling mount

WARRANTY/LISTING

- Five year warranty
- UL Listed
- Meets UL924, NFPA 101 Life Safety Code, NEC, OSHA, Local and State Codes

ELECTRICAL

- Powered from low voltage power source with low voltage wiring (not provided)

HOUSING

- Injection-molded, engineering-grade, 5VA flame retardant, high-impact resistant, thermoplastic in white or black finish

FIXTURE COMPATIBILITY CHART

Reference individual unit equipment specification sheets for remote load capacity availability.

MODEL TYPE	3.6V	9.6V	MV
02-C2__-LEDRC		X	X
02-CLP__-RC		X	X
02-EA__-RC	X		X
02-E__L-LED		X	X
02-ECO-LED-EM-RC	X		X
02-C2LP__-RC	X		X

ORDERING INFORMATION

MODEL	NO. OF HEADS	OPTIONS	VOLTAGE	COLOR	LAMP TYPE ¹
04-RHRLD	1 Single Head	Blank For Standard non-self-diagnostic fixtures	3.6V For use with 3.6V batteries	Blank White	Blank 8 LEDs 1W
	2 Double Head	SDT For use with fixtures with a self-diagnostic option	9.6V For use with 9.6V batteries	B Black	HL 12 LEDs 1.5W
			MV For use with 3.6V, 6V, 9.6V & 12V batteries		

1. Wattage rating stated per head.