

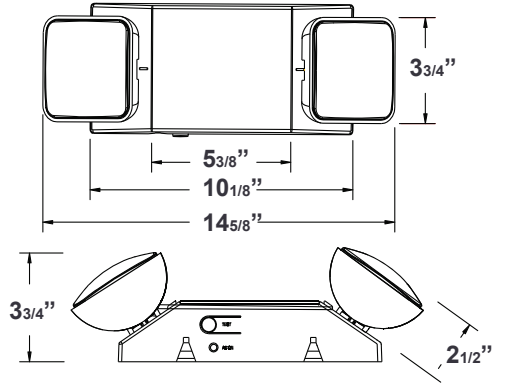
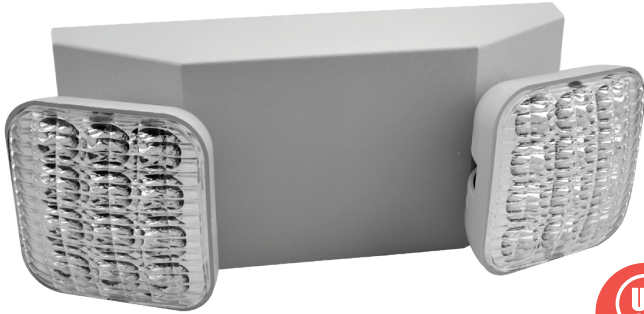


**CONTRACTOR
LIGHTING & SUPPLY**

WWW.CONTRACTORLIGHTING.COM

PROJECT
TYPE
CATALOG #

LED EMERGENCY UNIT



ELECTRICAL

- Dual 120/277 voltage
- Charge rate/power "ON" LED indicator light and push-to-test switch for mandated code compliance testing.
- 3.6V long life, maintenance-free, rechargeable NiCd battery.
- Internal solid-state transfer switch automatically connects the internal battery to LED board and LED lamp heads for minimum 90-minute emergency illumination.
- Fully automatic solid-state, two rate charger initiates battery charging to recharge a discharged battery in 24 hours.
- Remote capacity option available.

MOUNTING

- Surface mount via quick-connect back plate; fits most standard size junction boxes and snaps into place to make internal electrical connections.
- Top and side knockout for conduit applications.
- Suitable for wall or ceiling mount.

HOUSING

- Injection-molded, engineering grade, 5VA flame retardant, high-impact resistant, thermoplastic in white or black finish.

ILLUMINATION

- Long lasting, efficient ultra bright white LED lamp heads.
- 1 watt (8 LEDs x 0.125W) per head.
- High performance chrome-plated metallized reflector and plastic lens for optimal light distribution.
- Adjustable LED lamp heads provides optimal center-to-center spacing. Optional high-lumen heads are available for increased center-to-center spacing.

OPTIONS

- HL: 12-LED heads provide increased center-to-center spacing (1.5W per head).
- SDT: Self-diagnostic feature performs monthly, biannual, and annual tests to ensure reliable operation and meet electrical and life safety codes.

WARRANTY/LISTING

- Five year Warranty on all electronics and housing. Batteries pro rated for five years
- Meets UL924, NFPA 101 Life Safety Code, NEC, OSHA, Local and State Codes.
- UL Listed for damp locations (0° C - 50° C)

ORDERING INFORMATION

MODEL	HOUSING COLOR	OPTIONS
02-EAW-LED	Blank White B Black	RC Remote Capacity HL High Lumen SDT Self-Diagnostics



PROJECT
TYPE
CATALOG #

LED EMERGENCY UNIT

ELECTRICAL INFORMATION

CATALOG NUMBER	INPUT WATTS (W)					INPUT AMPS (A)				
	120V	277V	208V	220V	240V	120V	277V	208V	220V	240V
02-EAW-LED	1.8	1.8	2.6	3.5	3.1	0.022	0.010	0.024	0.029	0.025
02-EAW-LED SDT	1.6	1.6	-	-	-	0.020	0.010	-	-	-

CENTER-TO-CENTER SPACING GUIDELINES

For reference only.

**UNIT
LOCATION**
LIGHT SOURCE

1'	0.2	0.3	0.5	0.4	0.4	0.5	0.6	0.8	1	0.8	0.9	0.8	0.4	0.2	0.2	
2'	0.3	0.5	0.7	0.8	0.9	0.8	0.9	1	1.1	1.4	1.1	0.8	0.5	0.3	0.2	
3'	0.4	0.7	1	1	1.1	1.1	1.1	1.3	1.4	1.1	0.9	0.9	0.7	0.5	0.2	
4'	0.5	0.7	0.9	1.1	1.2	1.2	1	1.1	1.1	1	1.1	0.8	0.6	0.3	0.2	
5'	0.5	0.7	0.8	0.8	1	1.1	0.8	0.8	1	0.9	0.6	0.5	0.4	0.3	0.2	
6'	0.4	0.5	0.7	0.7	0.8	0.8	0.6	0.5	0.6	0.5	0.4	0.4	0.3	0.2	0.2	
	7	6	5	4	3	2	1	0	1	2	3	4	5	6	7	8

Meets NFPA 101 Requirements for: 10' center-to-center spacing - 3' path of egress 1' from wall - 7 1/2' mounting height.